

# STAR 2024

# STAR 3024

Gear motor for hinged gates  
Motoriduttore per cancelli a battente  
Motoréducteur pour portails à battants  
Motorreductor para cancelas batientes  
Antriebe für Drehtore  
Motorreductores para portões de batente  
Motoreduktor do bram skrzydłowych



## INDEX

<b>1</b>	<b>Safety warnings</b>	p. 3
<b>2</b>	<b>Product overview</b>	p. 4
2.1	Product description	p. 4
2.2	Technical characteristics	p. 4
<b>3</b>	<b>Preliminary checks</b>	p. 4
<b>4</b>	<b>Installing the product</b>	p. 5
4.1	Installation	p. 5
4.2	Electrical connections	p. 5
<b>5</b>	<b>Testing and commissioning</b>	p. 6
5.1	Testing	p. 6
5.2	Commissioning	p. 6
<b>6</b>	<b>Figures</b>	p. 44
<b>7</b>	<b>EC Declaration of Conformity</b>	p. 48

# 1 - SAFETY WARNINGS

## ATTENTION !

**ORIGINAL INSTRUCTIONS - important safety instructions. Follow the instructions since incorrect installation can lead to severe injury! Save these instructions.**

Read the instructions carefully before proceeding with installation.

The design and manufacture of the devices making up the product and the information in this manual are compliant with current safety standards. However, incorrect installation or programming may cause serious injury to those working on or using the system. Compliance with the instructions provided here when installing the product is therefore extremely important.

If in any doubt regarding installation, do not proceed and contact the Key Automation Technical Service for clarifications.

**Under European legislation, an automatic door or gate system must comply with the standards envisaged in the Directive 2006/42/EC (Machinery Directive) and in particular standards EN 12445; EN 12453; EN 12635 and EN 13241-1, which enable declaration of presumed conformity of the automation system.**

Therefore, final connection of the automation system to the electrical mains, system testing, commissioning and routine maintenance must be performed by skilled, qualified personnel, in observance of the instructions in the "Testing and commissioning the automation system" section.

The aforesaid personnel are also responsible for the tests required to verify the solutions adopted according to the risks present, and for ensuring observance of all legal provisions, standards and regulations, with particular reference to all requirements of the EN 12445 standard which establishes the test methods for testing door and gate automation systems.

## ATTENTION !

**Before starting installation, perform the following checks and assessments:**

ensure that every device used to set up the automation system is suited to the intended system overall. For this purpose, pay special attention to the data provided in the "Technical specifications" section. Do not proceed with installation if any one of these devices is not suitable for its intended purpose;

check that the devices purchased are sufficient to guarantee system safety and functionality;

perform a risk assessment, including a list of the essential safety requirements as envisaged in Annex I of the Machinery Directive, specifying the solutions adopted. The risk assessment is one of the documents included in the automation system's technical file. This must be compiled by a professional installer.

**Considering the risk situations that may arise during installation phases and use of the product, the automation system must be installed in compliance with the following safety precautions:**

never make modifications to any part of the automation system other than those specified in this manual. Operations of this type can only lead to malfunctions. The manufacturer declines all liability for damage caused by unauthorised modifications to products;

if the power cable is damaged, it must be replaced by the manufacturer or its after-sales service, or in all cases by a person with similar qualifications, to prevent all risks;

do not allow parts of the automation system to be immersed in water or other liquids. During installation ensure that no liquids are able to enter the various devices;

should this occur, disconnect the power supply immediately and contact a Key Automation Service Centre. Use of the automation system in these conditions may cause hazards;

never place automation system components near to sources of heat or expose them to naked lights. This may damage system components and cause malfunctions, fire or hazards;

## ATTENTION !

**The drive shall be disconnected from its power source during cleaning, maintenance and when replacing parts. If the disconnect device is not in a visible location, affix a notice stating: "MAINTENANCE IN PROGRESS":**

connect all devices to an electric power line equipped with an earthing system;

the product cannot be considered to provide effective protection against intrusion. If effective protection is required, the automation system must be combined with other devices;

the product may not be used until the automation system "commissioning" procedure has been performed as specified in the "Automation system testing and commissioning" section;

the system power supply line must include a circuit breaker device with a contact gap allowing complete disconnection in the conditions specified by class III overvoltage;

use unions with IP55 or higher protection when connecting hoses, pipes or cable glands;

the electrical system upstream of the automation system must comply with the relevant regulations and be constructed to good workmanship standards;

this appliance can be used by children aged from 8 years and above and persons with reduced physical, sensory or mental capabilities or lack of experience and knowledge if they have been given supervision or instruction concerning use of the appliance in a safe way and understand the hazards involved;

before starting the automation system, ensure that there is no-one in the immediate vicinity;

before proceeding with any cleaning or maintenance work on the automation system, disconnect it from the electrical mains;

special care must be taken to avoid crushing between the part operated by the automation system and any fixed parts around it; children must be supervised to ensure that they do not play with the equipment.

that the drive cannot be used with a driven part incorporating a wicket door unless the drive can only be operated with the wicket door in the safe position.

## ATTENTION !

**Frequently examine the installation for imbalance where applicable and signs of wear or damage to cables, springs and mounting.**

**Do not use if repair or adjustment is necessary.**

## ATTENTION !

**The automation system component packaging material must be disposed of in full observance of current local waste disposal legislation.**

**Key Automation reserves the right to amend these instructions if necessary; they and/or any more recent versions are available at [www.keyautomation.it](http://www.keyautomation.it)**

## 2 - PRODUCT OVERVIEW

### 2.1 - Description of the product

The STAR gear motors are destined to be installed in systems for the automation of gates with hinged doors.  
The STAR gear motors have been designed and constructed to be fitted onto hinged doors within the weight limits indicated in the technical specifications table.

The use of gear motors for applications which differ from those indicated above is prohibited.

### 2.2 - Technical characteristics

#### TECHNICAL DATA

MODELS		STAR2024	STAR3024
<b>TECHNICAL SPECIFICATIONS</b>			
Speed	cm/s	20	20
Thrust Force	N	1400	1400
Working cycle	%	80	80
Opening time at 90°	sec	adjustable	adjustable
Control unit		CT20224	CT20224
Power supply	Vac (Vdc)	(24)	(24)
Absorption	A	3,5	3,5
Engine power	W	85	85
Degree of protection	IP	54	54
Dimensions (L - P - H)	mm	646 - 115 - 177	796 - 115 - 177
Weight	Kg	3	3,2
Operating temperature	°C	-20°+55	-20°+55
Leaves maximum weight	Kg	400	400

## 3 - PRELIMINARY CHECKS

Before installing this product, verify and check the following steps:

- Check that the gate or door are suitable for automation
- The weight and size of the gate or door must be within the maximum permissible operating limits specified in Fig. 2
- Check the presence and strength of the security mechanical stops of the gate or door
- Check that the mounting area of the product is not subject to flooding
- Conditions of high acidity or salinity or proximity to heat sources could cause malfunction of the product
- Extreme weather conditions (for example the presence of snow, ice, high temperature range, high temperatures) may increase the friction and therefore the force required for the handling and initial

starting point may be higher than under normal conditions.

- Check that the manual operation of gate or door is smooth and friction-free and there is no risk of derailment of the same
- Check that the gate or door are in equilibrium and stationary if left in any position
- Check that the power line to supply the product is equipped with proper grounding safety and protected by a magnetothermal and differential security device
- Provide the power system with a disconnecting device with a gap of contacts enabling full disconnection under the conditions dictated by the overvoltage category III.
- Ensure that all materials used for the installation comply with current regulations

## 4 - PRODUCT INSTALLATION

### 4.1 - Installation

Before proceeding with the installation, check the integrity of the product and that all components are present in the package.

Also make sure that the mounting area of the gear motor is compatible with the dimensions (Fig.1).

Ensure that leaf travel is limited, on opening and closing, by mechanical stops securely anchored to the ground.

Check the permitted opening angle, based on the mounting points of the brackets with the graph (Fig.4).

Fig.3 shows a typical installation:

- Gear motors
- Photocells
- Columns for photocells
- Flashing light with antenna
- Key switch or digital keypad
- Control unit

#### Installing the rear fixing bracket

The fixing position of the rear bracket is determined according to the graph (Fig. 4).

Important: installations where the values of "A" and "B" (Fig. 5) are as similar to each other as possible are preferred.

If necessary, cut the rear bracket (Fig. 6) to obtain the value "B", then weld the fixing bracket to the wall.

Secure the bracket to the wall using welding, screws or bolts (not included).

#### Installing the front fixing bracket

The front bracket must be fixed to the door according to dimension "E" (Fig.5).

#### Installing the gear motor

Place the gear motor against the rear bracket and insert the fixing screw.

Insert the pin of the sliding bracket into the bush of the front bracket and secure it with the screw and washer provided.

Tighten the screw on the rear bracket previously mounted with the nut.

After the installing operations, release the operator and ensure that the gate opens smoothly with no stiff points and that it stops on the mechanical travel stops obtaining the leaf openings determined by the fitting position of the operator with reference to Fig. 4.

### ATTENZIONE !

**Do not exceed the leaf opening determined by the fitting position of the operator with reference to Fig. 4, otherwise the operator may be irreversibly damaged!**

### 4.2 - Electrical connections

Insert the supply cable to the terminal. Connect the wires of the supply cable to the terminal following the electrical drawing in Fig. 9.

## 5 - TESTING AND COMMISSIONING THE AUTOMATION

The testing of the system must be performed by qualified technicians who must perform the tests required by relevant legislation related to risks, ensuring compliance with the provisions of the regu-

lations, in particular the EN12445 standard, which specifies the testing methods for the automation of doors and gates.

### 5.1 - Testing

All system components must be tested following the procedures outlined in the respective instruction manuals.

Check that they meet the guidelines in Chapter 1 - Safety warnings  
Check that the gate or door can move freely once the automation is unlocked, and that they are in equilibrium and stationary if left in any position.

Check the correct operation of all connected devices (photocells,

sensitive edges, emergency buttons, etc.), testing the opening, closing and stopping of the gate or door via the connected control devices (transmitters, buttons, switches).

Carry out measurements of the impact force, as prescribed by standard EN12445 adjusting the functions of speed, motor force and deceleration of the unit if the measurements do not give the desired results until you find the right setting.

### 5.2 - Commissioning

Following the successful testing of all (and not just some) devices in the system you can proceed with the commissioning.

You must prepare, and keep for 10 years, the technical file of the system with the wiring diagram, drawing or photo of the system, risks analysis and solutions adopted, manufacturer declaration of conformity of all devices connected, instruction manual of each device and maintenance schedule of the system.

Fix on the gate or door a plaque indicating the automation data, the name of the person responsible for the commissioning, the serial number and year of construction, the CE mark.

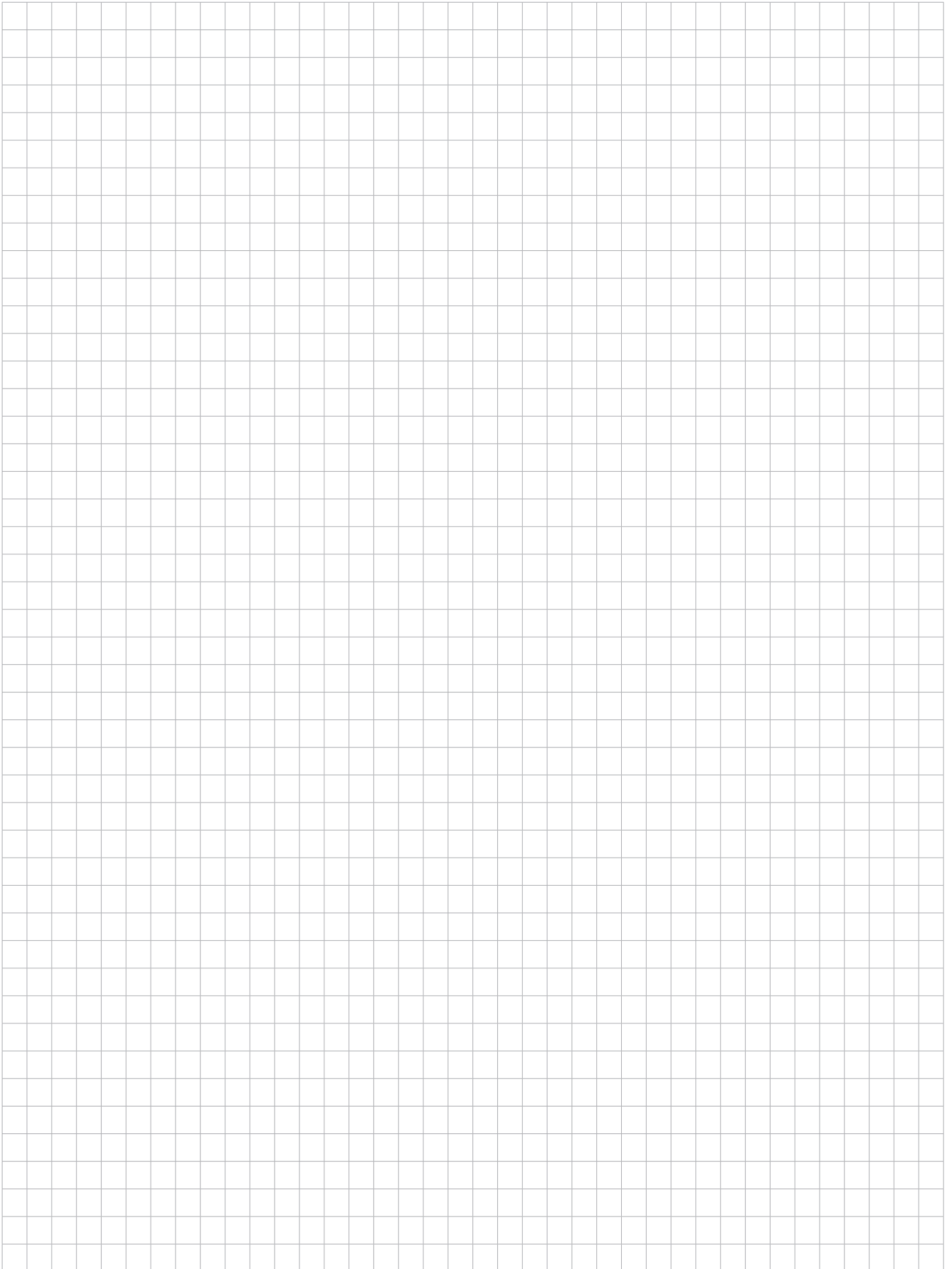
Attach a plaque indicating the steps required to manually unlock the system.

Implement and deliver to the end user the declaration of conformity, the instructions and warnings for use for the end user and the maintenance schedule of the system.

Make sure the user understands proper automatic, manual and emergency operation of the automation.

Inform the end user in writing of the dangers and risks still present.

## NOTE



# INDICE

<b>1</b>	<b>Avvertenze per la sicurezza</b>	pag. 9
<b>2</b>	<b>Introduzione al prodotto</b>	pag. 10
2.1	Descrizione del prodotto	pag. 10
2.2	Caratteristiche tecniche	pag. 10
<b>3</b>	<b>Verifiche preliminari</b>	pag. 10
<b>4</b>	<b>Installazione del prodotto</b>	pag. 11
4.1	Installazione	pag. 11
4.2	Connessioni elettriche	pag. 11
<b>5</b>	<b>Collaudo e messa in servizio</b>	pag. 12
5.1	Collaudo	pag. 12
5.2	Messa in servizio	pag. 12
<b>6</b>	<b>Immagini</b>	pag. 44
<b>7</b>	<b>Dichiarazione CE di conformità</b>	pag. 48



## 1 - AVVERTENZE PER LA SICUREZZA

### ⚠ ATTENZIONE !

**ISTRUZIONI ORIGINALI – importanti istruzioni di sicurezza. Seguire tutte le istruzioni perchè una scorretta installazione può portare a lesioni gravi! Conservare queste istruzioni.**

Leggere attentamente le istruzioni prima di eseguire l'installazione.

La progettazione e la fabbricazione dei dispositivi che compongono il prodotto e le informazioni contenute nel presente manuale rispettano le normative vigenti sulla sicurezza. Ciò nonostante un'installazione e una programmazione errata possono causare gravi ferite alle persone che eseguono il lavoro e a quelle che useranno l'impianto. Per questo motivo, durante l'installazione, è importante seguire attentamente tutte le istruzioni riportate in questo manuale.

Non procedere con l'installazione se si hanno dubbi di qualunque natura e richiedere eventuali chiarimenti al Servizio Assistenza Key Automation.

**Per la legislazione Europea la realizzazione di una porta automatica o un cancello automatico deve rispettare le norme previste dalla Direttiva 2006/42/CE (Direttiva Macchine) e in particolare, le norme EN 12445; EN 12453; EN 12635 e EN 13241-1, che consentono di dichiarare la conformità dell'automazione.**

In considerazione di ciò, il collegamento definitivo dell'automatismo alla rete elettrica, il collaudo dell'impianto, la sua messa in servizio e la manutenzione periodica devono essere eseguiti da personale qualificato ed esperto, rispettando le istruzioni riportate nel riquadro "Collaudo e messa in servizio dell'automazione".

Inoltre, egli dovrà farsi carico di stabilire anche le prove previste in funzione dei rischi presenti e dovrà verificare il rispetto di quanto previsto da leggi, normative e regolamenti: in particolare, il rispetto di tutti i requisiti della norma EN 12445 che stabilisce i metodi di prova per la verifica degli automatismi per porte e cancelli.

### ⚠ ATTENZIONE !

**Prima di iniziare l'installazione, effettuare le seguenti analisi e verifiche:**

verificare che i singoli dispositivi destinati all'automazione siano adatti all'impianto da realizzare. Al riguardo, controllare con particolare attenzione i dati riportati nel capitolo "Caratteristiche tecniche". Non effettuare l'installazione se anche uno solo di questi dispositivi non è adatto all'uso;

verificare se i dispositivi acquistati sono sufficienti a garantire la sicurezza dell'impianto e la sua funzionalità;

eseguire l'analisi dei rischi che deve comprendere anche l'elenco dei requisiti essenziali di sicurezza riportati nell'Allegato I della Direttiva Macchine, indicando le soluzioni adottate. L'analisi dei rischi è uno dei documenti che costituiscono il fascicolo tecnico dell'automazione. Questo dev'essere compilato da un installatore professionista.

**Considerando le situazioni di rischio che possono verificarsi durante le fasi di installazione e di uso del prodotto è necessario installare l'automazione osservando le seguenti avvertenze:**

non eseguire modifiche su nessuna parte dell'automatismo se non quelle previste nel presente manuale. Operazioni di questo tipo possono solo causare malfunzionamenti. Il costruttore declina ogni responsabilità per danni derivanti da prodotti modificati arbitrariamente;

evitare che le parti dei componenti dell'automazione possano venire immerse in acqua o in altre sostanze liquide. Durante l'installazione evitare che i liquidi possano penetrare all'interno dei dispositivi presenti;

se il cavo di alimentazione risulta danneggiato esso deve essere sostituito dal costruttore o dal suo servizio di assistenza tecnica o comunque da una persona con qualifica simile in modo da prevenire ogni rischio;

se sostanze liquide penetrano all'interno delle parti dei componenti dell'automazione, scollegare immediatamente l'alimentazione elet-

trica e rivolgersi al Servizio Assistenza Key Automation. L'utilizzo dell'automazione in tali condizioni può causare situazioni di pericolo;

non mettere i vari componenti dell'automazione vicino a fonti di calore né esporli a fiamme libere. Tali azioni possono danneggiarli ed essere causa di malfunzionamenti, incendio o situazioni di pericolo;

### ⚠ ATTENZIONE !

**L'unità deve essere scollegata dalla fonte di alimentazione durante la pulizia, la manutenzione e la sostituzione di componenti. Se il dispositivo di sconnessione non è a vista, apporre un cartello con la seguente dicitura: "MANUTENZIONE IN CORSO";**

tutti i dispositivi devono essere collegati ad una linea di alimentazione elettrica dotata di messa a terra di sicurezza;

il prodotto non può essere considerato un efficace sistema di protezione contro l'intrusione. Se desiderate proteggervi efficacemente, è necessario integrare l'automazione con altri dispositivi;

il prodotto può essere utilizzato esclusivamente dopo che è stata effettuata la "messa in servizio" dell'automazione, come previsto nel paragrafo "Collaudo e messa in servizio dell'automazione";

prevedere nella rete di alimentazione dell'impianto un dispositivo di disconnessione con una distanza di apertura dei contatti che consenta la disconnessione completa nelle condizioni dettate dalla categoria di sovratensione III;

per la connessione di tubi rigidi e flessibili o passacavi utilizzare raccordi conformi al grado di protezione IP55 o superiore;

l'impianto elettrico a monte dell'automazione deve rispondere alle vigenti normative ed essere eseguito a regola d'arte;

l'apparecchio può essere utilizzato da bambini di età non inferiore a 8 anni e da persone con ridotte capacità fisiche, sensoriali o mentali, o prive di esperienza o della necessaria consapevolezza, purché sotto sorveglianza oppure dopo che le stesse abbiano ricevuto istruzioni relative all'uso sicuro dell'apparecchio e alla comprensione dei pericoli ad esso inerenti;

prima di avviare l'automazione assicurarsi che le persone non siano nelle immediate vicinanze;

prima di procedere a qualsiasi operazione di pulizia e manutenzione dell'automazione eseguire la disconnessione dalla rete elettrica;

fare particolare attenzione per evitare lo schiacciamento tra la parte guidata ed eventuali elementi fissi circostanti; i bambini devono essere sorvegliati per sincerarsi che non giochino con l'apparecchio.

l'apparecchio non può essere utilizzato con una porta guidata che incorpora una porte pedonale.

### ⚠ ATTENZIONE !

**Esaminare periodicamente l'impianto per verificare la presenza di sbilanciamenti e segni di usura meccanica, danneggiamento di cavi, molle, parti di sostegno. Non utilizzare se è necessaria riparazione o regolazione.**

### ⚠ ATTENZIONE !

**Il materiale dell'imballaggio di tutti i componenti dell'automazione deve essere smaltito nel pieno rispetto della normativa presente a livello locale.**

**Key Automation si riserva il diritto di modificare le presenti istruzioni qualora necessario, queste e/o versione superiore si possono trovare sul sito [www.keyautomation.it](http://www.keyautomation.it)**

## 2 - INTRODUZIONE AL PRODOTTO

### 2.1 - Descrizione del prodotto

I motoriduttori STAR sono destinati all'installazione in impianti di automazione per cancelli con ante battenti.

I motoriduttori STAR sono progettati e costruiti per il montaggio su ante battenti nei limiti di peso riportati nella tabella delle specifiche

tecniche.

E' vietato l'utilizzo dei motoriduttori per applicazioni differenti da quelle sopra indicate.

### 2.2 - Caratteristiche tecniche

#### DATI TECNICI

MODELLO		STAR2024	STAR3024
<b>SPECIFICHE TECNICHE</b>			
Velocità	cm/s	20	20
Forza di spinta	N	1400	1400
Ciclo di lavoro	%	80	80
Tempo di apertura a 90°	sec	regolabile	regolabile
Centrale di comando		CT20224	CT20224
Alimentazione	Vac (Vdc)	(24)	(24)
Assorbimento motore	A	3,5	3,5
Potenza assorbita	W	85	85
Grado di protezione	IP	54	54
Dimensioni (L - P - H)	mm	646 - 115 - 177	796 - 115 - 177
Peso	Kg	3	3,2
Temperatura di esercizio	°C	-20°+55	-20°+55
Peso massimo anta	Kg	400	400

## 3 - VERIFICHE PRELIMINARI

Prima di installare il prodotto verificare e controllare i seguenti punti:

- Controllare che il cancello o la porta siano adatti ad essere automatizzati

- Il peso e la dimensione del cancello o della porta devono rientrare nei limiti d'impiego massimi consentiti indicati in Fig.2

- Controllare la presenza e la solidità degli arresti meccanici di sicurezza del cancello o della porta

- Verificare che la zona di fissaggio del prodotto non sia soggetta ad allagamenti

- Condizioni di elevata acidità o salinità o la vicinanza a fonti di calore potrebbero causare malfunzionamenti del prodotto

- In caso di condizioni climatiche estreme (per esempio in presenza di neve, ghiaccio, elevata escursione termica, temperature elevate) gli attriti potrebbero aumentare e quindi la forza necessaria per la movimentazione e lo spunto iniziale potrebbe essere superiori a quella necessaria in condizioni normali.

- Controllare che la movimentazione manuale del cancello o della porta sia fluida e priva di zone di maggiore attrito o vi sia rischio di deragliamento dello stesso

- Controllare che il cancello o la porta siano in equilibrio e rimangano quindi fermi se lasciati in qualsiasi posizione

- Verificare che la linea elettrica a cui sarà collegato il prodotto sia provvista di opportuna messa a terra di sicurezza e protetta da un dispositivo magnetotermico e differenziale

- Prevedere nella rete di alimentazione dell'impianto un dispositivo di disconnessione con una distanza di apertura dei contatti che consenta la disconnessione completa nelle condizioni dettate dalla categoria di sovratensione III.

- Verificare che tutto il materiale utilizzato per l'installazione sia conforme alle normative vigenti

## 4 - INSTALLAZIONE DEL PRODOTTO

### 4.1 - Installazione

Prima di procedere con l'installazione, verificare l'integrità del prodotto e che tutti i componenti siano presenti nella confezione.

Verificare inoltre che la zona di fissaggio del motoriduttore sia compatibile con le dimensioni di ingombro (Fig.1).

La corsa dell'anta deve essere limitata, sia in apertura che in chiusura, da arresti meccanici saldamente fissati al suolo.

Verificare l'angolo di apertura consentito, in base ai punti di fissaggio delle staffe tramite il grafico (Fig.4).

In Fig.3 è rappresentato un esempio di installazione tipica:

- Motoriduttori
- Fotocellule
- Colonnine per fotocellule
- Lampeggiante con antenna incorporata
- Selettore a chiave o tastiera digitale
- Centrale di comando

#### Installazione staffa di fissaggio posteriore

La posizione di fissaggio della staffa posteriore viene determinata in base al grafico (Fig.4).

Importante: sono da preferire quelle installazioni in cui valori di "A" e "B" (Fig.5) siano il più possibile simili tra loro.

Se necessario, tagliare la staffa posteriore (Fig.6) fino ad ottenere il valore "B", dopodichè saldarla alla staffa di fissaggio a muro.

Fissare infine la staffa di fissaggio a muro tramite saldatura, viti o tasselli (non compresi).

#### Installazione staffa di fissaggio anteriore

La staffa anteriore deve essere fissata all'anta in base alla quota "E" (Fig.5).

#### Installazione del motoriduttore

Poggiare il motoriduttore alla staffa posteriore e inserire la vite di fissaggio.

Inserire il perno della staffa di scorrimento nella boccola della staffa anteriore e fissarlo tramite la vite e la rondella in dotazione.

Serrare con il dado la vite della staffa posteriore montata precedentemente.

Ad operazioni completate, sbloccare il motoriduttore e verificare manualmente che il cancello sia libero di aprirsi fermandosi sugli arresti meccanici di finecorsa in apertura, effettuando la rotazione prevista dalla tabella in Fig. 4.

### ATTENZIONE !

**Rotazioni superiori a quelle indicate nella tabella di Fig. 4 con le quote A e B scelte, pur geometricamente possibili, possono comportare il danneggiamento irreversibile dell'attuatore.**

**Posizionare i finecorsa meccanici in apertura saldamente fissati al suolo in modo che tali rotazioni non vengano superate.**

### 4.2 - Connessioni elettriche

Inserire il cavo di alimentazione. Collegare i fili del cavo di alimentazione alla morsettiera secondo lo schema elettrico (Fig.9).

## 5 - COLLAUDO E MESSA IN SERVIZIO DELL'AUTOMAZIONE

Il collaudo dell'impianto va eseguito da un tecnico qualificato che deve effettuare le prove richieste dalla normativa di riferimento in funzione dei rischi presenti, verificando il rispetto di quanto previsto

dalle normative, in particolare la norma EN12445 che indica i metodi di prova per gli automatismi per porte e cancelli.

### 5.1 - Collaudo

Tutti i componenti dell'impianto devono essere collaudati seguendo le procedure indicate nei rispettivi manuali di istruzioni

Controllare che siano rispettate le indicazioni del Capitolo 1 – Avvertenze per la sicurezza

Controllare che il cancello o la porta si possano muovere liberamente una volta sbloccata l'automazione e che siano in equilibrio e rimangano quindi fermi se lasciati in qualsiasi posizione

Controllare il corretto funzionamento di tutti i dispositivi collegati (fo-

tocellule, bordi sensibili, pulsanti di emergenza, altro) effettuando delle prove di apertura, chiusura e arresto del cancello o della porta tramite i dispositivi di comando collegati (trasmettitori, pulsanti, selettori)

Effettuare le misurazioni della forza d'impatto come previsto dalla normativa EN12445 regolando le funzioni di velocità, forza motore e rallentamenti della centrale nel caso in cui le misurazioni non diano i risultati desiderati fino a trovare il giusto settaggio

### 5.2 - Messa in servizio

A seguito del positivo collaudo di tutti (e non solo di alcuni) i dispositivi dell'impianto si può procedere con la messa in servizio

E' necessario realizzare e conservare per 10 anni il fascicolo tecnico dell'impianto che dovrà contenere lo schema elettrico, il disegno o foto dell'impianto, l'analisi dei rischi e le soluzioni adottate, la dichiarazione di conformità del fabbricante di tutti i dispositivi collegati, il manuale istruzioni di ogni dispositivo e il piano di manutenzione dell'impianto

Fissare sul cancello o la porta una targa indicante i dati dell'automazione, il nome del responsabile della messa in servizio, il numero di matricola e l'anno di costruzione, il marchio CE

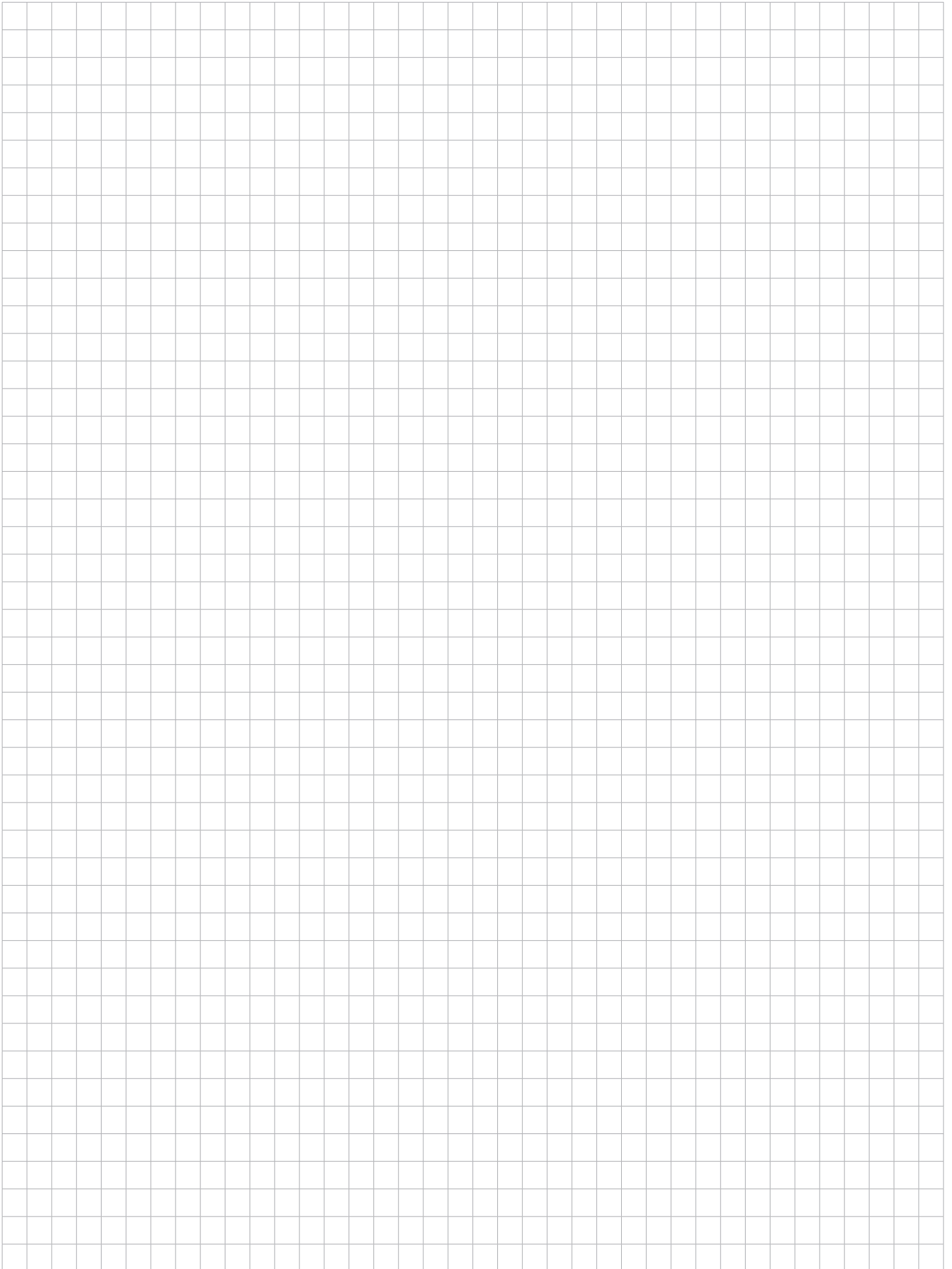
Fissare una targa che indichi le operazioni necessarie per sbloccare manualmente l'impianto

Realizzare e consegnare all'utilizzatore finale la dichiarazione di conformità, le istruzioni e avvertenze d'uso per l'utilizzatore finale e il piano di manutenzione dell'impianto

Accertarsi che l'utilizzatore abbia compreso il corretto funzionamento automatico, manuale e di emergenza dell'automazione.

Informare anche in forma scritta l'utilizzatore finale sui pericoli e rischi ancora presenti

## NOTE



# SOMMAIRE

<b>1</b>	<b>Avertissements pour la sécurité</b>	page 15
<b>2</b>	<b>Introduction au produit</b>	page 16
2.1	Description du produit	page 16
2.2	Caractéristiques techniques	page 16
<b>3</b>	<b>Contrôles préliminaires</b>	page 16
<b>4</b>	<b>Installation du produit</b>	page 17
4.1	Installation	page 17
4.2	Branchements électriques	page 17
<b>5</b>	<b>Essai et mise en service</b>	page 18
5.1	Essai	page 18
5.2	Mise en service	page 18
<b>6</b>	<b>Images</b>	page 44
<b>7</b>	<b>Déclaration CE de conformité</b>	page 48

# 1 - AVERTISSEMENTS POUR LA SÉCURITÉ

## ATTENTION !

**INSTRUCTIONS ORIGINALES – importantes consignes de sécurité. Il est important, pour la sécurité des personnes, de respecter les consignes de sécurité suivantes. Conserver ces instructions.**

Lire attentivement les instructions avant d'effectuer l'installation.

**La conception et la fabrication des dispositifs qui composent le produit et les informations contenues dans ce guide respectent les normes de sécurité en vigueur. Néanmoins, une installation et une programmation erronées peuvent causer de graves blessures aux personnes qui exécutent le travail et à celles qui utiliseront l'installation. C'est pourquoi il est important, durant l'installation, de suivre scrupuleusement toutes les instructions fournies dans ce guide.**

Ne pas effectuer l'installation en cas de doute, de quelque nature que ce soit, et, au besoin, demander des éclaircissements au service après-vente de Key Automation.

**Pour la législation européenne, la réalisation d'une porte ou d'un portail automatique doit respecter les normes prévues par la directive 2006/42/CE (directive Machines) et, en particulier, les normes EN 12445, EN 12453, EN 12635 et EN 13241-1, qui permettent de déclarer la conformité de l'automatisme.**

C'est pourquoi le branchement définitif de l'automatisme au réseau électrique, la réception de l'installation, sa mise en service et la maintenance périodique doivent être confiés à du personnel qualifié et spécialisé qui interviendra selon les instructions fournies dans la section « Réception et mise en service de l'automatisme ».

De plus, il devra se charger de procéder aux essais prévus en fonction des risques présents et vérifier le respect de toutes les prescriptions des lois, normes et règlements : en particulier, le respect de toutes les exigences de la norme EN 12445 qui définit les méthodes d'essai pour la vérification des automatismes pour portes et portails.

## ATTENTION !

**Avant de commencer l'installation, effectuer les analyses et vérifications suivantes:**

vérifier que chacun des dispositifs destinés à l'automatisme est adapté à l'installation à réaliser. À ce sujet, contrôler tout particulièrement les données indiquées dans le chapitre « Caractéristiques techniques ». Ne pas effectuer l'installation si ne serait-ce qu'un seul de ces dispositifs n'est pas adapté à ce type d'utilisation;

vérifier que les dispositifs achetés sont suffisants pour garantir la sécurité de l'installation et son bon fonctionnement;

effectuer l'analyse des risques, qui doit aussi comprendre la liste des exigences essentielles de sécurité contenues dans l'annexe I de la directive Machines, en indiquant les solutions adoptées. L'analyse des risques est l'un des documents qui constituent le dossier technique de l'automatisme. Ce dernier doit être rédigé par un installateur professionnel.

**Compte tenu des situations de risque qui peuvent se présenter durant les phases d'installation et d'utilisation du produit, il est nécessaire d'installer l'automatisme en respectant les consignes suivantes :**

ne pas apporter de modifications à une quelconque partie de l'automatisme, en dehors de celles qui sont prévues dans ce guide. Ce type d'interventions ne peut que causer des problèmes de fonctionnement. Le constructeur décline toute responsabilité en cas de dommages dérivant de produits modifiés de manière arbitraire ; il faut faire en sorte que les pièces des composants de l'automatisme ne soient jamais plongées dans l'eau ni dans d'autres substances liquides. Durant l'installation, éviter que des liquides puissent pénétrer à l'intérieur des dispositifs présents;

si le câble d'alimentation est détérioré, il doit être remplacé par le constructeur, par son service après-vente ou, dans tous les cas, par une personne ayant une qualification similaire, de manière à prévenir tout risque éventuel;

si des substances liquides pénètrent à l'intérieur des pièces des composants de l'automatisme, débrancher immédiatement l'alimen-

tation électrique et s'adresser au service après-vente Key Automation. L'utilisation de l'automatisme dans ces conditions peut être source de danger;

ne pas mettre les différents composants de l'automatisme à proximité de sources de chaleur et ne pas les exposer à des flammes libres. Ces actions peuvent les endommager et causer des problèmes de fonctionnement, un incendie ou des dangers;

## ATTENTION !

**L'unité doit être débranchée de la source d'alimentation durant le nettoyage, la maintenance et le remplacement de composants. Si le dispositif de mise hors tension ne peut pas être surveillé, il faut poser dessus un écriteau indiquant : « MAINTENANCE EN COURS »;**

tous les dispositifs doivent être raccordés à une ligne d'alimentation électrique avec mise à la terre de sécurité ;

le produit ne peut pas être considéré comme un système de protection efficace contre l'intrusion. Si vous souhaitez vous protéger efficacement, il faut intégrer d'autres dispositifs à l'automatisme;

le produit ne peut être utilisé qu'après les opérations de « mise en service » de l'automatisme, comme cela est prévu dans le paragraphe « Réception et mise en service de l'automatisme »;

prévoir dans le réseau d'alimentation de l'installation un dispositif de disjonction avec une distance d'ouverture des contacts qui garantisse la disjonction complète dans les conditions prévues par la catégorie de surtension III;

pour le raccordement de tubes rigides et flexibles ou de passe-câbles, utiliser des raccords conformes à l'indice de protection IP55 ou supérieur;

l'installation électrique en amont de l'automatisme doit être conforme aux normes en vigueur et être réalisée dans les règles de l'art;

Les enfants de moins de 8 ans, les personnes souffrant d'un handicap physique, sensoriel ou mental ou les personnes sans expérience ou sans la connaissance nécessaire, ne peuvent utiliser l'appareil que sous surveillance ou après avoir reçu les instructions nécessaires pour utiliser l'appareil en toute sécurité et avoir bien compris les dangers qui peuvent en découler;

si le câble d'alimentation est détérioré, il doit être remplacé par le constructeur, par son service après-vente ou, dans tous les cas, par une personne ayant une qualification similaire, de manière à prévenir tout risque éventuel;

avant d'actionner l'automatisme, s'assurer que personne ne se trouve à proximité;

avant d'effectuer une quelconque opération de nettoyage et de maintenance de l'automatisme, le débrancher du réseau électrique; les enfants doivent être surveillés afin de s'assurer qu'ils ne jouent pas avec l'appareil.

l'appareil ne peut pas être utilisé avec une porte automatisée, avec portillon piéton intégré.

## ATTENTION !

**Vérifier périodiquement l'installation pour s'assurer qu'elle ne présente pas de déséquilibres, de signes d'usure mécanique ou de dommages sur les câbles, les ressorts et les éléments de support. Ne pas utiliser si la réparation ou l'ajustement est nécessaire**

**Les matériaux d'emballage de tous les composants de l'automatisme doivent être éliminés conformément à la norme locale en vigueur.**

**KEY AUTOMATION se réserve le droit de modifier, si nécessaire, les présentes instructions, dont vous pouvez trouver sur le site [www.keyautomation.it](http://www.keyautomation.it) une version mise à jour.**

## 2 - INTRODUCTION AU PRODUIT

### 2.1 - Description du produit

Les motoréducteurs STAR sont conçus pour une installation dans des systèmes automatisés de portails à battants.

Les motoréducteurs STAR sont conçus et fabriqués pour un montage sur portes battantes dans les limites de poids indiquées dans le

tableau de spécifications.

Il est interdit d'utiliser les motoréducteurs pour des applications différentes de celles indiquées précédemment.

### 2.2 - Caractéristiques techniques

#### CARACTÉRISTIQUES TECHNIQUES

MODÈLE		STAR2024	STAR3024
SPÉCIFICATIONS TECHNIQUES			
Vitesse	cm/s	20	20
Force de poussée	N	1400	1400
Cycle de travail	%	80	80
Temps ouverture 90°	sec	règlable	règlable
Logique de command		CT20224	CT20224
Alimentation	Vac (Vdc)	(24)	(24)
Absorption	A	3,5	3,5
Puissance du moteur	W	85	85
Degré de protection	IP	54	54
Dimensions (L - P - H)	mm	646 - 115 - 177	796 - 115 - 177
Poids	Kg	3	3,2
Température de fonctionnement	°C	-20°+55	-20°+55
Poid maximal vantail	Kg	400	400

## 3 - CONTRÔLES PRÉLIMINAIRES

Avant d'installer le produit, vérifier les points suivants :

- Vérifier que le portail ou la porte soient adaptés à une automatisation
- Le poids et la taille du portail ou de la porte doivent rester dans les limites admissibles indiquées dans la Fig.2.
- Vérifier la présence et la solidité des arrêts mécaniques de sécurité du portail ou de la porte
- Vérifier que la zone de fixation du produit ne soit pas soumise à inondation
- Des conditions d'acidité ou salinité élevées ou la proximité de sources de chaleur pourraient provoquer des dysfonctionnements sur le produit
- En présence de conditions climatiques extrêmes (par exemple en présence de neige, gel, forte amplitude thermique, température élevée) les frottements pourraient augmenter impliquant une force

nécessaire au mouvement et au démarrage initial supérieure à celle nécessaire en conditions normales.

- Vérifier que le mouvement manuel du portail ou de la porte soit fluide et sans friction notable ou s'il existe un risque de déraillement.
- Vérifier que le portail ou la porte soit en équilibre et restent donc immobile en cas d'arrêts dans n'importe quelle position.
- Vérifier que le circuit électrique auquel le produit sera raccordé soit équipé d'une mise à la terre de sécurité adaptée et protégé par un dispositif magnétothermique et différentielle.
- Sur le réseau d'alimentation, prévoir un dispositif de déconnexion avec une distance d'ouverture des contacts permettant la déconnexion complète dans les conditions indiquées par la catégorie de surtension III.
- Vérifier que l'intégralité de l'équipement utilisé pour l'installation soit conforme aux normes en vigueur.



## 4 - INSTALLATION DU PRODUIT

### 4.1 - Installation

Avant de procéder à l'installation, vérifier l'intégrité du produit et que tous les composants soient présents dans l'emballage.

Vérifier également que la zone de montage du motoréducteur soit compatible avec les dimensions (Fig.1).

Vérifier l'angle d'ouverture admissible, en fonction des points de fixation des chevrons indiqués sur le graphique (Fig.4).

La course du battant doit être limité, en ouverture et aussi en fermeture, par des blocages mécaniques bien fixées à terre.

La Fig.3 illustre un exemple d'installation type:

- Motoréducteurs
- Cellules photoélectriques
- Colonnes pour cellules photoélectriques
- Voyant clignotant avec antenne incorporée
- Interrupteur à clé ou clavier numérique
- Centrale de commande

#### Installation du chevron de fixation arrière

La position de fixation du chevron arrière est indiquée sur le graphique (Fig. 4).

Important: les installations proposant des valeurs « A » et « B » (Fig. 5) les plus semblables possibles sont préférées.

Si nécessaire, couper le chevron arrière (Fig. 6) jusqu'à obtenir la valeur « B », puis souder le chevron au mur.

Fixer ensuite le chevron de fixation au mur en utilisant soudage, des vis ou des chevilles (non incluses).

#### Installation de l'étrier de fixation avant

Le chevron avant doit être fixé au battant en fonction de la hauteur « E » (Fig.5).

#### Installation du motoréducteur

Appuyer le motoréducteur sur le chevron arrière et insérer la vis de fixation.

Insérer le pivot du chevron de coulissement dans la douille du chevron avant et le fixer avec la vis et la rondelle fournies en dotation. Serrer la vis du chevron arrière précédemment montée en utilisant l'écrou.

Après opérations complétées, débloquer le motoréducteur et vérifier manuellement que le portail est libre de se ouvrir et de se arrêter dans les blocages mécaniques de fin course en ouverture, faisant la rotation indiqué dans le tableau en Fig. 4.

#### ATTENTION !

**Rotations plus grands à ceux indiquées dans le tableau en Fig.4 avec dimensions A et B choisi, même si géométriquement possibles, peuvent endommager définitivement l'automatisme. Positionner les fin course mécaniques en ouverture bien fixées à terre, pour éviter que les rotations aillent au-delà du limite.**

### 4.2 - Raccordements électriques

Insérer le câble d'alimentation au bornier. Connecter les fils du câble d'alimentation au bornier en suivant le schéma électrique Fig.9.

## 5 - ESSAI ET MISE EN SERVICE DE L'AUTOMATION

L'essai du système doit être effectué par un technicien qualifié. Celui-ci procèdera aux essais requis par la norme relative en fonction des risques présents, et vérifiera l'adéquation aux prescriptions

normatives, en particulier celles de la norme EN12445 indiquant les méthodes d'essai pour les automatismes relatifs aux portes et portails.

### 5.1 - Essai

Tous les composants de l'installation doivent être testés en suivant les procédures indiquées dans les manuels d'instructions respectifs.

Vérifier que les indications fournies au Chapitre 1 – Avertissements pour la sécurité aient été respectées.

Vérifier que le portail ou la porte puissent bouger librement une fois l'automation débloquée, qu'ils soient en équilibre et qu'ils restent donc immobiles lorsqu'ils sont laissés dans n'importe quelle position.

Vérifier que tous les dispositifs reliés fonctionnent correctement (cellules photo-électriques, bords sensibles, boutons d'urgence, autres) en effectuant des essais d'ouverture, de fermeture et d'arrêt du portail ou de la porte à l'aide des dispositifs de commande reliés (transmetteurs, touches, sélecteurs).

Procéder à la mesure de la force d'impact conformément à la norme EN12445 en réglant les fonctions de vitesse, force moteur et ralentissement de la centrale si les mesures ne sont pas satisfaisantes, jusqu'à obtention du réglage adapté.

### 5.2 - Mise en service

Une fois l'essai de tous les dispositifs du système réussi (et non de seulement quelques-uns), il est possible de procéder à la mise en service.

Il est nécessaire de réaliser et de conserver pendant 10 ans le fascicule technique de l'installation, lequel devra contenir le schéma électrique, le dessin ou photo de l'installation, l'analyse des risques et les solutions adoptées, la déclaration de conformité du fabricant de tous les dispositifs reliés, le manuel d'instructions de tous les dispositifs et le programme d'entretien du système.

Apposer la plaque d'identification de l'automation sur laquelle figurent le nom du responsable de la mise en service, le numéro de matricule et l'année de construction ainsi que la marque CE

directement sur le portail ou sur la porte.

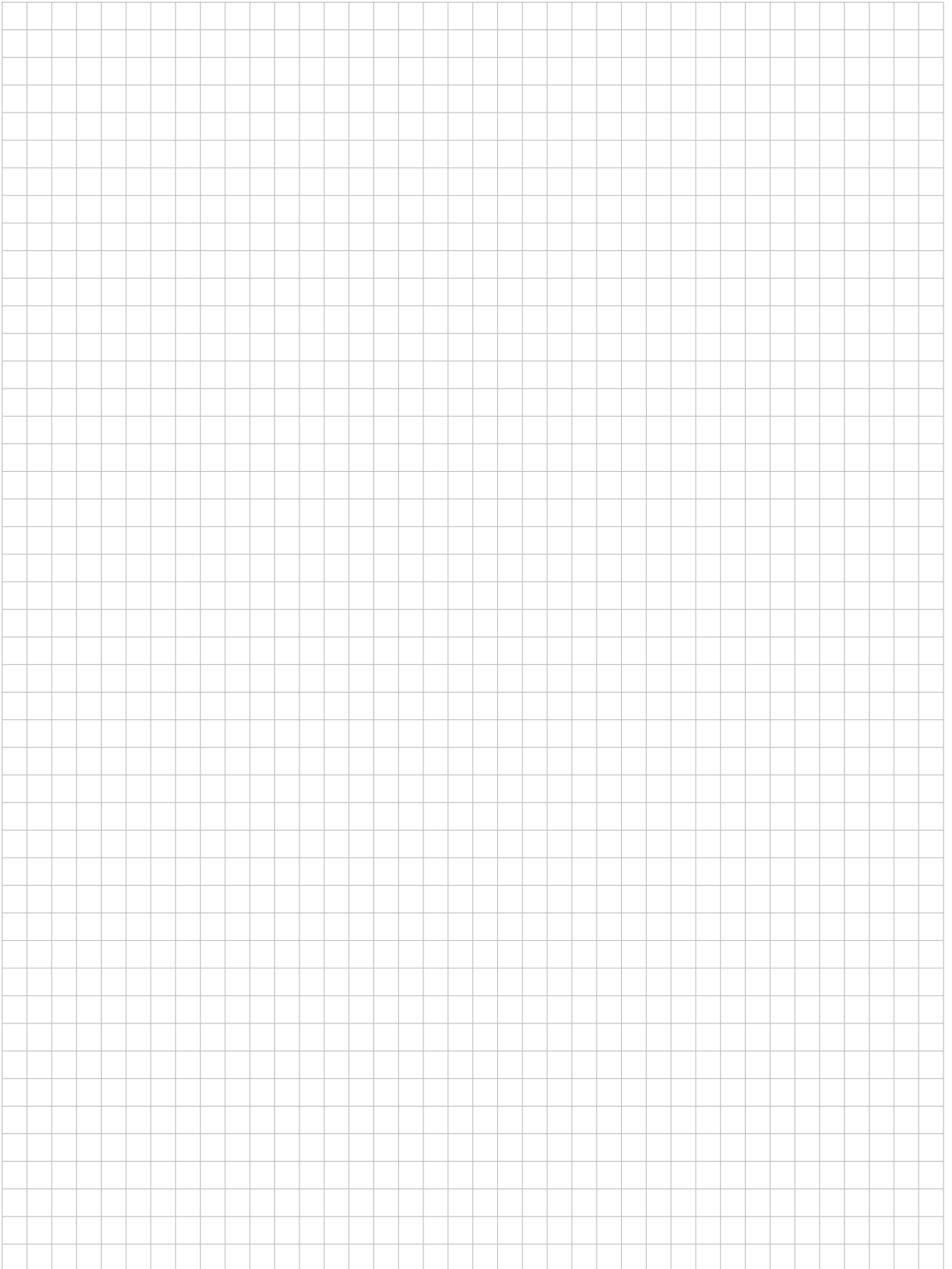
Fixer une plaque indiquant les opérations nécessaires pour procéder au déblocage manuel du système.

Réaliser et remettre à l'utilisateur final la déclaration de conformité, les instructions et les avertissements destinés à l'utilisateur final ainsi que le programme d'entretien de l'installation.

Vérifier que l'utilisateur ait bien compris le fonctionnement automatique, manuel et de secours de l'automatisme.

Informé, également par écrit, l'utilisateur final des dangers et des risques résiduels.

## NOTE



# ÍNDICE

<b>1</b>	<b>Advertencias de seguridad</b>	pág. 21
<b>2</b>	<b>Introducción al producto</b>	pág. 22
2.1	Descripción del producto	pág. 22
2.2	Características técnicas	pág. 22
<b>3</b>	<b>Comprobaciones preliminares</b>	pág. 22
<b>4</b>	<b>Instalación del producto</b>	pág. 23
4.1	Instalación	pág. 23
4.2	Conexiones eléctricas	pág. 23
<b>5</b>	<b>Ensayo y puesta en servicio</b>	pág. 24
5.1	Ensayo	pág. 24
5.2	Puesta en servicio	pág. 24
<b>6</b>	<b>Imágenes</b>	pág. 44
<b>7</b>	<b>Declaración CE de conformidad</b>	pág. 48

## 1 - ADVERTENCIAS DE SEGURIDAD

### ATENCIÓN !

**INSTRUCCIONES ORIGINALES – instrucciones importantes de seguridad. Para la seguridad de las personas es importante respetar las siguientes instrucciones de seguridad. Guarde estas instrucciones.**

Lea detenidamente las instrucciones antes de realizar la instalación.

**El diseño y la fabricación de los dispositivos que componen el producto y las informaciones contenidas en este manual respetan las normativas vigentes sobre la seguridad. No obstante esto, una instalación y una programación incorrectas pueden provocar graves lesiones a las personas que realizan el trabajo y a aquellas que utilizarán el sistema. Por dicho motivo, durante la instalación es importante respetar escrupulosamente todas las instrucciones mencionadas en este manual.**

No proceda con la instalación si tuviera alguna duda y, si fuera necesario, solicite aclaraciones al Servicio de Asistencia Key Automation.

**Para la legislación Europea la realización de una puerta automática debe respetar las Normas previstas por la Directiva 2006/42/CE (Directiva de Máquinas) y, en particular, las Normas EN 12445, EN 12453, EN 12635 y EN 13241-1, que permiten declarar la conformidad del automatismo.**

En virtud de esto, la conexión definitiva del automatismo a la red eléctrica, el ensayo del sistema, su puesta en servicio y el mantenimiento periódico deben ser realizados por personal calificado y experto, respetando las instrucciones indicadas en el apartado "Ensayo y puesta en servicio del automatismo".

Además, el personal deberá establecer los ensayos previstos en función de los riesgos presentes y deberá comprobar la conformidad con las leyes, normativas y reglamentos: en particular, el respeto de todos los requerimientos de la Norma EN 12445 que establece los métodos de ensayo para las puertas motorizadas.

### ATENCIÓN !

**Antes de comenzar con la instalación, realice los siguientes análisis y controles:**

compruebe que los dispositivos destinados al automatismo sean adecuados para el sistema que se debe realizar. Para tal fin, controle detenidamente los datos indicados en el capítulo "Características técnicas". No realice la instalación incluso si uno de dichos dispositivos no es adecuado para el uso;

compruebe que los dispositivos comprados sean suficientes para garantizar la seguridad del sistema y su funcionamiento;

realice el análisis de los riesgos que debe incluir la lista de los requerimientos esenciales de seguridad indicados en el Anexo I de la Directiva de Máquinas, indicando las soluciones tomadas. El análisis de los riesgos es uno de los documentos que constituyen el expediente técnico del automatismo. El mismo deberá ser cumplimentado por un instalador profesional.

**Teniendo en cuenta las situaciones peligrosas que pueden generarse durante las etapas de instalación y uso del producto, es necesario instalar el automatismo respetando las siguientes advertencias:**

no modifique ninguna pieza del automatismo, salvo aquellas previstas en este manual. Las operaciones de este tipo pueden provocar solo fallos en el funcionamiento. El fabricante no se asume ninguna responsabilidad por los daños provocados por los productos modificados arbitrariamente;

procure que las piezas de los componentes del automatismo no queden sumergidas en agua o en otras sustancias líquidas. Durante la instalación, evite que los líquidos puedan penetrar en el interior de los dispositivos;

si el cable de alimentación estuviera dañado, deberá ser sustituido por el fabricante o por su servicio de asistencia técnica, o bien por una persona cualificada con el fin de prevenir cualquier tipo de riesgo;

si sustancias líquidas penetraran en el interior de las piezas de los componentes del automatismo, desconecte inmediatamente la alimentación eléctrica y contacte con el Servicio de Asistencia Key Automation. Utilizar el automatismo en dichas condiciones podría causar situaciones peligrosas.

No coloque los componentes del automatismo cerca de fuentes de calor ni los exponga al fuego. Esto podría averiarlos y provocar fallos de funcionamiento, incendios o situaciones peligrosas;

### ATENCIÓN !

**La unidad no debe estar conectada a la fuente de alimentación durante la limpieza, mantenimiento y sustitución de componentes. Si el dispositivo de desconexión no estuviera a la vista, cuelgue un cartel que indique: "MANTENIMIENTO EN CURSO";**

todos los dispositivos deben estar conectados a una línea de alimentación eléctrica con puesta a tierra de seguridad incorporada;

el producto no puede ser considerado un sistema de protección eficaz contra las intrusiones. Si usted deseara una protección eficaz, es necesario integrar el automatismo con otros dispositivos;

el producto se puede utilizar exclusivamente después de haber realizado la "puesta en servicio" del automatismo, tal como previsto en el apartado "Ensayo y puesta en servicio del automatismo";

instale en la red de alimentación del sistema un dispositivo de desconexión con una distancia de apertura de los contactos que permita la desconexión completa en las condiciones establecidas por la categoría de sobretensión III;

para la conexión de tubos rígidos o flexibles o prensaestopas, utilice racores de conformidad con el grado de protección IP55 o superior;

el sistema eléctrico que alimenta el automatismo debe responder a las normativas vigentes y debe estar realizado correctamente;

el dispositivo puede ser utilizado por niños mayores de 8 años de edad, y por personas con capacidades físicas, sensoriales o mentales reducidas, o sin experiencia ni conocimientos necesarios, siempre y cuando estén supervisados, o una vez que hayan sido instruidos sobre el uso seguro del dispositivo y hayan comprendido los peligros que entraña;

antes de poner en marcha el automatismo, asegúrese de que no haya ninguna persona en las cercanías;

antes de limpiar o mantener el automatismo, desconecte la corriente eléctrica;

tenga mucho cuidado para evitar el aplastamiento entre la parte guiada y los elementos fijos de alrededor; controle que los niños no jueguen con el dispositivo.

el dispositivo no puede ser utilizado con una puerta automatizada que incorpora una puerta peatonal.

### ATENCIÓN !

**Examine periódicamente la instalación para comprobar desequilibrios y signos de desgaste mecánico, daños a los cables, muelles, piezas de sostén.**

**No utilizar si es necesario reparar o ajustar.**

**Elimine el material de embalaje de todos los componentes del automatismo respetando la normativa vigente del país de instalación.**

**KEY AUTOMATION se reserva la facultad de modificar estas instrucciones de ser necesario, esta versión o aquella superior se pueden encontrar en la web [www.keyautomation.it](http://www.keyautomation.it)**

## 2 - INTRODUCCIÓN AL PRODUCTO

### 2.1 - Descripción del producto

Los motorreductores STAR están destinados a la instalación en sistemas de automatización para cancelas con puertas batientes.

Los motorreductores STAR están proyectados y fabricados para el montaje en puertas con apertura batiente en los límites de peso

indicados en la tabla de especificaciones técnicas.

Está prohibido el uso de motorreductores para aplicaciones diferentes de las indicadas arriba.

### 2.2 - Características técnicas

#### DATOS TÉCNICOS

MODELO		STAR2024	STAR3024
ESPECIFICACIONES TÉCNICAS			
Velocidad	cm/s	20	20
Fuerza de impulso	N	1400	1400
Ciclo de trabajo	%	80	80
Tiempo de apertura a 90°	sec	regulable	regulable
Central de mando		CT20224	CT20224
Alimentación	Vac (Vdc)	(24)	(24)
Absorción	A	3,5	3,5
Potencia motor	W	85	85
Grado de protección	IP	54	54
Dimensiones (L - A - H)	mm	646 - 115 - 177	796 - 115 - 177
Peso	Kg	3	3,2
Temperatura de funcionamiento	°C	-20°+55	-20°+55
Peso máximo hoja	Kg	400	400

## 3 - COMPROBACIONES PRELIMINARES

Antes de instalar el producto compruebe y controle los siguientes puntos:

- Compruebe que la cancela o la puerta sean aptos para la automatización.
- El peso y la dimensión de la cancela o de la puerta deben estar dentro de los límites máximos de uso permitidos especificados en la Fig.2
- Compruebe la presencia y la solidez de las paradas mecánicas de seguridad de la cancela o de la puerta.
- Compruebe que la zona de fijación del producto no se inunde
- Condiciones de acidez o salinidad elevadas o que haya fuentes de calor cercanas que pudieran causar mal funcionamientos del producto.
- En caso de condiciones climáticas extremas (por ejemplo en presencia de nieve, hielo, excursión térmica o temperaturas elevadas) podrían aumentar las fricciones y, por tanto, la fuerza necesaria

para el movimiento y el arranque inicial podrían ser superiores a los necesarios en condiciones normales.

- Compruebe que el movimiento manual de la cancela o de la puerta sea fluido y que no haya zonas de mayor fricción o riesgo de descarrilamiento.

Compruebe que la cancela o la puerta estén en equilibrio y permanezcan detenidas sea cual sea la posición en la que se las deje.

- Compruebe que la línea eléctrica a la se conectará el producto cuente con puesta a tierra de seguridad y esté protegida por un dispositivo magnetotérmico y diferencial.

- Hay que prever en la red de alimentación de la instalación un dispositivo de desconexión con una distancia de apertura de los contactos que permita la desconexión completa en las condiciones que dicta la categoría de sobretensión III.

- Compruebe que todo el material utilizado por la instalación esté conforme a las normativas vigentes.

## 4 - INSTALACIÓN DEL PRODUCTO

### 4.1 - Instalación

Antes de llevar a cabo la instalación, compruebe la integridad del producto y que todos los componentes estén en la caja.

Compruebe también que la zona de fijación del motorreductor sea compatible con las dimensiones de espacio (Fig.1).

Compruebe el ángulo de apertura permitido, en base a los puntos de fijación de los estribos mediante el gráfico (Fig.4).

La carrera de la hoja debe estar limitada, sea en apertura que en cierre, con topes mecánicos fijados al suelo.

En Fig.3 aparece una representación de un ejemplo de instalación típica:

- Motorreductores
- Fotocélulas
- Columnas para fotocélulas
- Luz intermitente con antena incorporada
- Selectore de llave o teclado digital
- Central de control

#### Instalación estribo de fijación posterior

La posición de fijación del estribo posterior se determina en base al gráfico (Fig.4).

Importante: se da preferencia a las instalaciones en las que los valores de "A" y "B" (Fig.5) sean lo más parecidos posible entre ellos. Si es necesario, corte el estribo posterior (Fig.6) hasta obtener el valor "B", después suéldelo al estribo de fijación a la pared.

Para terminar fije el estribo de fijación a la pared mediante soldadura, tornillos o tacos (no incluidos).

#### Instalación estribo de fijación anterior

El estribo anterior debe fijarse a la puerta en base a la cuota "E" (Fig.5).

#### Instalación del motorreductor

Apoye el motorreductor al estribo posterior e introduzca el tornillo de fijación.

Introduzca el perno del estribo de deslizamiento en el buje del estribo anterior y fíjelo mediante el tornillo y la arandela incluidos.

Apriete fuerte con la tuerca el tornillo del estribo posterior que se ha montado anteriormente.

Con la operación completada, desbloquear el motor y verificar manualmente que la candela sea libre de abrirse parándose con los finales mecánicos en apertura, efectuando la rotación prevista en la tabla en Fig. 4.

### ATENCIÓN !

**Rotación superior a aquellas indicadas en la tabla de la Fig. 4 con las cotas A y B elegidas, más geoméricamente posibles, pueden comportar el daño irreversible del actuador.**

**Posicionando los finales de carrera mecánicos en apertura fuertemente fijados al suelo en modo que tal rotación no venga superada.**

### 4.2 - Conexiones eléctricas

Introduzca el cable de alimentación en la bornera. Conecte los hilos del cable de alimentación en la bornera según el esquema eléctrico (Fig. 9).

## 5 - ENSAYO Y PUESTA EN SERVICIO DE LA AUTOMATIZACIÓN

El ensayo de la instalación debe realizarlo un técnico calificado el cual deberá llevar a cabo las pruebas requeridas por la normativa de referencia en función de los riesgos presentes, comprobando

el respeto de cuanto prevén las normativas, especialmente la EN12445, que indica los métodos de prueba para las automatizaciones de puertas y cancelas.

### 5.1 - Ensayo

Hay que someter a ensayo a todos los componentes de la instalación, siguiendo el procedimiento que se indica en los correspondientes manuales de instrucciones.

Compruebe que se respetan las indicaciones del Capítulo 1 – Advertencias para la seguridad.

Compruebe que la cancela o la puerta se puedan mover libremente al desbloquear la automatización y que estén en equilibrio y permanezcan detenidas sea cual sea la posición en la que se las deje.

Compruebe el correcto funcionamiento de todos los dispositivos

conectados (fotocélulas, bordes sensibles, botones de emergencia, otros) efectuando las pruebas de apertura, cierre y detención de la cancela o de la puerta mediante los dispositivos de control conectados (transmisores, botones, selectores).

Efectúe las mediciones de la fuerza de impacto tal y como prevé la normativa EN12445; en el caso de no obtener con las mediciones los resultados deseados regule las funciones de velocidad, fuerza motora o deceleraciones de la central hasta encontrar la configuración adecuada.

### 5.2 - Puesta en servicio

Tras haber probado todos (y no algunos) los dispositivos de la instalación se puede proceder a su puesta en servicio.

Será necesario realizar y conservar durante 10 años el fascículo técnico de la instalación que deberá contener el esquema eléctrico, el dibujo o foto de la instalación, el análisis de los riesgos y las soluciones adoptadas, la declaración de conformidad del fabricante de todos los dispositivos conectados, el manual de instrucciones de cada dispositivo y el plan de mantenimiento de la instalación.

Fije en la cancela o la puerta una placa con los datos de la automatización, el nombre del responsable de la puesta en servicio, el número de matrícula y el año de construcción, la marca CE.

Fije una placa que indique las operaciones necesarias para desbloquear la instalación manualmente.

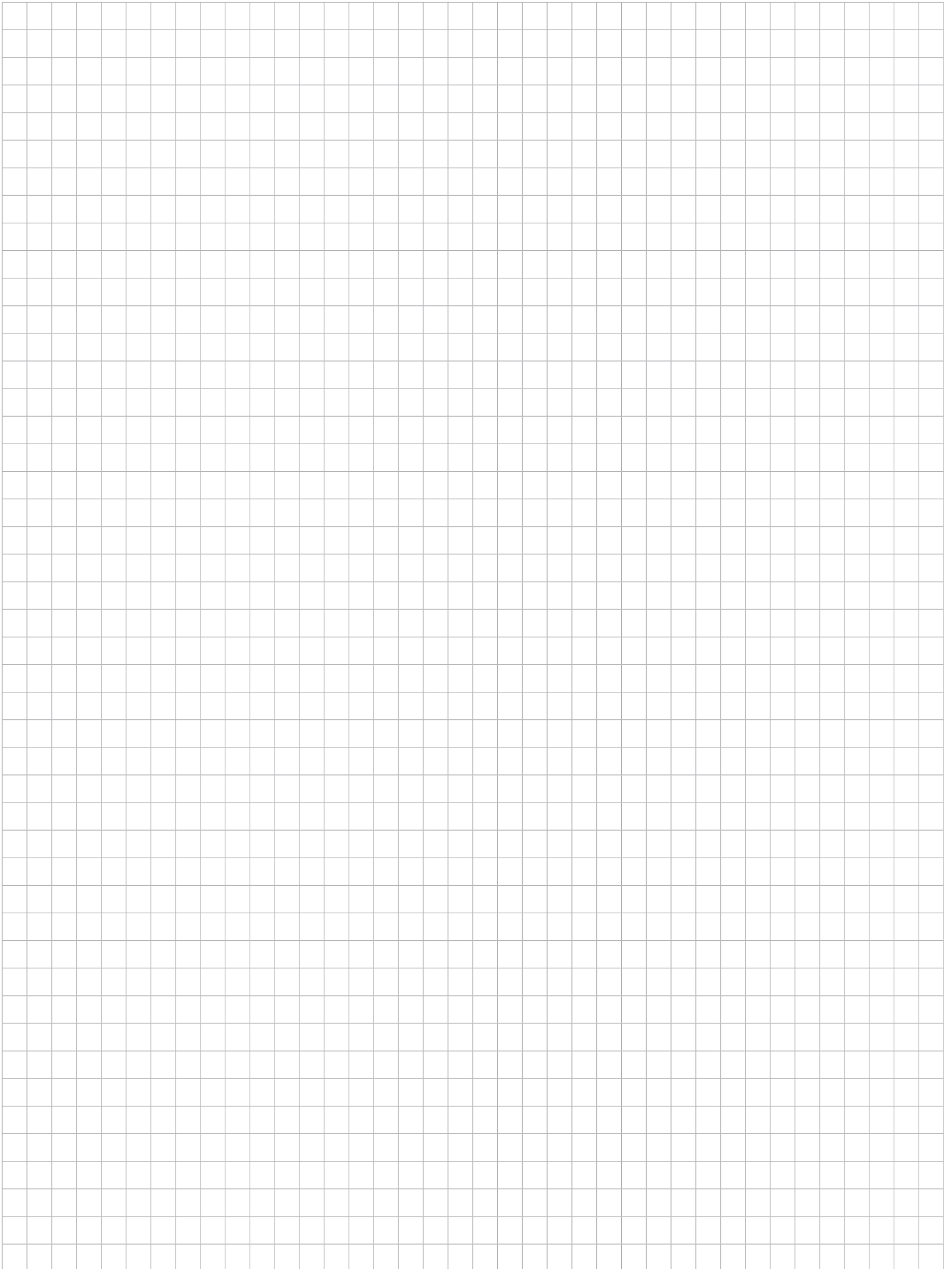
Realice y entregue al usuario final la declaración de conformidad, las instrucciones y advertencias de uso para el usuario final y el plano de mantenimiento de la instalación.

Asegúrese de que el usuario haya comprendido el correcto funcionamiento automático, manual y de emergencia de la automatización.

Informe también por escrito al usuario final de los peligros y riesgos todavía presentes.



## NOTAS



# INHALTSVERZEICHNIS

<b>1</b>	<b>Sicherheitshinweise</b>	S. 27
<b>2</b>	<b>Produkteinführung</b>	S. 28
2.1	Produktbeschreibung	S. 28
2.2	Technische Merkmale	S. 28
<b>3</b>	<b>Vorabkontrollen</b>	S. 28
<b>4</b>	<b>Produktinstallation</b>	S. 29
4.1	Installation	S. 29
4.2	Stromanschlüsse	S. 29
<b>5</b>	<b>Ab- und Inbetriebnahme</b>	S. 30
5.1	Abnahme	S. 30
5.2	Inbetriebnahme	S. 30
<b>6</b>	<b>Abbildungen</b>	S. 44
<b>7</b>	<b>Konformitätserklärung CE</b>	S. 48

# 1 - SICHERHEITSHINWEISE

## **! ACHTUNG !**

**ORIGINALANWEISUNGEN – Wichtige Sicherheitsanweisungen.** Für die Sicherheit der Personen ist es wichtig, die folgenden Sicherheitsanweisungen zu befolgen. Bewahren Sie diese Anweisungen auf.

Vor Durchführung der Installation lesen Sie die Anleitung bitte aufmerksam durch.

**Die Konstruktion und die Herstellung der Geräte, aus denen sich das Produkt zusammensetzt, und die in diesem Handbuch enthaltenen Informationen entsprechen den geltenden Sicherheitsvorschriften. Dennoch können eine falsche Installation und eine falsche Programmierung schwerwiegende Verletzungen bei Personen verursachen, die die Arbeit ausführen, und bei denen, die die Anlage benutzen werden. Aus diesem Grund ist es wichtig, während der Installation strikt alle Anweisungen in diesem Handbuch zu beachten.**

Bei Zweifel jeglicher Art die Installation abbrechen und ggf. den Key Automation Kundendienst zur Klärung kontaktieren.

**Für die europäische Gesetzgebung muss der Einbau einer automatischen Tür oder eines automatischen Tors den Bestimmungen der Richtlinie 2006/42/EG (Maschinenrichtlinie) und im Besonderen den Normen EN 12445, EN 12453, EN 12635 und EN 13241-1 entsprechen, die eine Konformitätserklärung der Automatisierung ermöglichen.**

In Anbetracht dessen müssen die endgültige Verbindung der Automatisierung ans Stromnetz, die Endabnahme der Anlage, die Inbetriebnahme und die regelmäßige Wartung von qualifiziertem und erfahrener Personal entsprechend den Anleitungen unter „Prüfung und Inbetriebnahme der Automatisierung“ durchgeführt werden.

Außerdem muss das Personal auch die vorgesehenen Tests nach den vorhandenen Risiken festlegen und die Einhaltung der Gesetze, Vorschriften und Regeln überprüfen: insbesondere die Einhaltung der Norm EN 12445, welche die Prüfverfahren für die Automatisierung von Türen und Toren festlegt.

## **! ACHTUNG !**

**Vor Installationsbeginn folgende Analysen und Prüfungen durchführen:**

Sicherstellen, dass die für die Automatisierung vorgesehenen Vorrichtungen für die zu realisierende Anlage geeignet sind. Diesbezüglich aufmerksam die im Kapitel „Technische Eigenschaften“ aufgeführten Daten prüfen. Die Installation nicht durchführen, wenn auch nur eine der Vorrichtungen nicht für den Gebrauch geeignet ist.

Sicherstellen, dass die erworbenen Vorrichtungen ausreichend sind, um die Sicherheit und Funktion der Anlage zu gewährleisten.

Die Risikoanalyse durchführen, welche auch die Liste der Sicherheitsanforderungen, aufgeführt in Anhang I der Maschinenrichtlinie, beinhalten muss, und die angewandten Lösungen nennen. Die Risikoanalyse ist eine der Unterlagen, aus denen sich die technischen Unterlagen der Automatisierung zusammensetzen. Diese müssen von einem erfahrenen Installateur ausgefüllt werden.

**In Anbetracht der Gefahrensituationen, die bei Installation und Benutzung des Produktes auftreten können, muss die Automatisierung unter Berücksichtigung folgender Hinweise installiert werden:**

Keine Änderungen an der Automatisierung vornehmen, wenn diese nicht in diesem Handbuch vorgesehen sind. Diese können nur zu Funktionsstörungen führen. Der Hersteller übernimmt keine Haftung für Schäden, die durch eigenmächtige Änderungen am Produkt verursacht wurden.

Ist das Stromkabel beschädigt, muss es vom Hersteller, seinem technischen Kundendienst oder einer ähnlich qualifizierten Person ersetzt werden, um Gefährdungen zu vermeiden; Die einzelnen Komponenten der Automatisierung dürfen nicht in Wasser oder andere Flüssigkeiten getaucht werden. Bei der Installation darauf achten, dass keine Flüssigkeit ins Innere der Vorrichtungen dringt.

Sollten Flüssigkeiten ins Innere der Automatisierungskomponenten dringen, sofort die Stromzufuhr abschalten und sich an den Key Automation Kundendienst wenden. Die Benutzung der Automatisierung in derartigen Situationen kann gefährlich sein.

Die einzelnen Komponenten weder Wärmequellen noch offenen Flammen aussetzen. Dadurch können Schäden, Störungen und Gefahrensituationen entstehen oder ein Brand ausbrechen

## **! ACHTUNG !**

**Die Einheit ist während der Reinigung, Wartung und Auswechslung von Bestandteilen von der Speisung abzutrennen. Sollte die Abschaltvorrichtung nicht sichtbar sein, ein Schild mit der Aufschrift „IN WARTUNG“ anbringen.**

Alle Vorrichtungen müssen mit einer Stromleitung verbunden werden, die sicher geerdet ist.

Dieses Produkt kann nicht als ausreichendes System für den Einbruchschutz angesehen werden. Wenn Sie sich ausreichend schützen wollen, müssen andere Vorrichtungen in die Automatisierung integriert werden.

Wie im Absatz „Prüfung und Inbetriebnahme der Automatisierung“ vorgesehen, darf das Produkt erst nach der „Inbetriebnahme“ der Automatisierung benutzt werden.

Im Stromnetz der Anlage eine Abschaltvorrichtung mit ausreichendem Öffnungsabstand der Kontakte vorsehen, die, wie von der Überspannungskategorie III gefordert, die komplette Abschaltung erlaubt.

Verwenden Sie für die Verbindung von steifen und flexiblen Rohren oder Kabeldurchgängen Anschlüsse mit dem Schutzgrad IP55 oder höher.

Die elektrische Anlage vor der Automatisierung muss den geltenden Bestimmungen entsprechen und fachgerecht ausgeführt sein.

Das Gerät kann von Kindern im Alter von nicht weniger als 8 Jahren und von Personen mit beschränkten körperlichen, sensorischen und geistigen Fähigkeiten oder ohne Erfahrung bzw. ohne das notwendige Bewußtsein verwendet werden, vorausgesetzt, dass sie dabei überwacht werden oder dass sie Anweisungen über den sicheren Gebrauch des Gerätes und das Verständnis der damit verbundenen Gefahren erhalten haben;

Vergewissern Sie sich vor der Inbetriebsetzung der Automatisierung, dass sich keine Personen in unmittelbarer Nähe befinden;

Vor jeder Reinigung und Wartung ist die Automatisierung vom Stromnetz zu trennen;

Besondere Vorsicht ist geboten, um Quetschungen zwischen dem geführten Teil und festen Elementen in der unmittelbaren Nähe zu vermeiden;

Kinder sollten beaufsichtigt werden, um sicherzustellen, dass sie nicht mit dem Gerät spielen.

Das Gerät darf mit einer automatisierten Tür mit eingebauter Fußgängertür nicht verwendet werden.

## **! ACHTUNG !**

**Die Anlage ist regelmäßig dahingehend zu prüfen, dass keine Unwucht und Zeichen einer mechanischen Abnutzung, sowie beschädigte Kabel, Federn und Stützelemente vorhanden sind. Verwenden Sie nicht, wenn eine Reparatur oder Einstellung erforderlich ist.**

**Das Verpackungsmaterial aller Automatisierungskomponenten muss entsprechend den örtlichen Bestimmungen entsorgt werden.**

**KEY AUTOMATION behält sich vor, diese Anweisungen notfalls zu ändern; diese Anweisungen und/oder eine neuere Version befinden sich auf der Website [www.keyautomation.it](http://www.keyautomation.it)**

## 2 - PRODUKTEINFÜHRUNG

### 2.1 - Produktbeschreibung

Die Antriebe STAR sind für den Einbau in Automationsanlagen für Toren mit Drehflügeln bestimmt.

Die Antriebe STAR werden zur Montage an Drehflügeln innerhalb der in den Tabellen der technischen Daten aufgeführten Gewichts-

grenzen entworfen und gebaut.

Die Verwendung der Getriebemotoren für andere Anwendungen als den oben angegebenen ist verboten.

### 2.2 - Technische Merkmale

#### TECHNISCHE DATEN

MODELL		STAR2024	STAR3024
<b>TECHNISCHE MERKMALE</b>			
Geschwindigkeit	cm/s	20	20
Schubkraft	N	1400	1400
Arbeitszyklus	%	80	80
Öffnungszeit auf 90°	sec	einstellbar	einstellbar
Central Command		CT20224	CT20224
Versorgung	Vac (Vdc)	(24)	(24)
Leistungsaufnahme	A	3,5	3,5
Motorleistung	W	85	85
Schutzart	IP	54	54
Größe (L - P - H)	mm	646 - 115 - 177	796 - 115 - 177
Gewicht	Kg	3	3,2
Betriebstemperatur	°C	-20°+55	-20°+55
Maximale Türgewicht	Kg	400	400

## 3 - VORABKONTROLLEN

Vor der Installation bitte folgende Punkte prüfen und kontrollieren:

- Kontrollieren ob sich Tor oder Tür für die Automatisierung eignen.

- Gewicht und Größe des Tors oder der Tür müssen innerhalb der maximal zulässigen Einsatzgrenzen liegen, die in Abb. 2 angegeben sind.

- Kontrolle des Vorhandenseins und der Stärke der mechanischen Sicherheitsanschlüsse des Tors oder der Tür.

- Sicherstellen, dass der Befestigungsbereich nicht überflutet werden kann.

- Überhöhter Säure- oder Salzgehalt oder die Nähe von Wärmequellen können Fehlfunktion des Produktes verursachen.

- bei extremen klimatischen Verhältnissen (wie z.B. Schnee, Eis, hohe Temperaturunterschiede, hohe Temperaturen) könnten sich die Reibungen verstärken, deshalb könnte der Kraftaufwand für die Bewegung und das Anlaufmoment höher sein als im Normalzustand.

- Kontrollieren, dass die manuelle Bewegung des Tors oder der Tür flüssig und ohne Reibungspunkte ist und keine Entgleisungsgefahr besteht.

- Prüfen, dass sich das Tor oder die Tür im Gleichgewicht befindet und folglich in jeder Stellung stillsteht.

- Prüfen, dass die Stromleitung für den Anschluss des Produkts über eine gesicherte Erdung verfügt und mit einem Leitungsschutz- und Differentialschalter geschützt ist.

- Im Stromnetz der Anlage eine Abschaltvorrichtung mit ausreichender Öffnungsweite der Kontakte vorsehen, die, wie von der Überspannungskategorie III gefordert, die komplette Abschaltung erlaubt.

- Sicherstellen, dass das gesamte benutzte Material den geltenden Normen entspricht.

## 4 - PRODUKTINSTALLATION

### 4.1 - Installation

Prüfen Sie vor dem Einbau die Unversehrtheit des Produktes sowie ob alle Bauteile in der Packung vorhanden sind.

Prüfen Sie außerdem, ob der Befestigungsbereich des Antriebs den Abmessungen entspricht (Abb.1).

Sicherstellen, dass der Flügeltür beim Öffnen und Schließen durch mechanische Anschläge begrenzt ist, die sicher am Boden verankert sind.

Prüfen Sie den zulässigen Öffnungswinkel entsprechend der Befestigungspunkte der Halterungen anhand der Zeichnung (Abb.4).

Abb. 3 zeigt ein typisches Installationsbeispiel:

- Getriebemotoren
- Fotozellen
- Säulen für Fotozellen
- Blinkleuchte mit integrierter Antenne
- Schlüsselwahlschalter oder digitale Tastatur
- Steuergerät

#### Montage des hinteren Befestigungsbügels

Die Position zur Befestigung des hinteren Bügels wird anhand der Zeichnung festgelegt (Abb.4).

Wichtig: Vorzuziehen ist eine Installationsweise, bei der die Werte für "A" und "B" (Abb. 5) möglichst nahe beieinander liegen.

Schneiden Sie bei Bedarf den hinteren Bügel (Abb. 6), so dass der Wert "B" erzielt wird, schweißen Sie ihn dann an die Wandhalterung. Befestigen Sie schließlich die Wandhalterung mittels Schweißen, Schrauben oder Dübeln (nicht beiliegend).

#### Montage des vorderen Befestigungsbügels

Der vordere Bügel muss am Flügel entsprechend des Wertes "E" in (Abb.5).

#### Installation des Getriebemotors

Legen Sie den Getriebemotor auf die hintere Halterung und fügen Sie die Befestigungsschraube ein.

Fügen Sie den Zapfen der Gleithalterung in die Buchse des vorderen Bügels ein und befestigen Sie ihn mit der beiliegenden Schraube und Unterlegscheibe.

Ziehen Sie mit der Mutter die Schraube des zuvor montierten hinteren Bügels fest.

Nach den Installationsarbeiten den Bediener loslassen und sicherstellen, dass das Tor reibungslos und ohne steife Punkte öffnet und dass es an den mechanischen Anschlägen stoppt, um die durch die Einbaulage des Bedieners anhand von Abb. 4 bestimmten Flügelöffnungen zu erhalten.

### ACHTUNG !

**Überschreiten Sie nicht die durch die Einbaulage des Bedieners mit Bezug auf Abb. 4 bestimmte Flügelöffnung, da sonst der Bediener irreversibel beschädigt werden kann!**

### 4.2 - Stromanschlüsse

Führen Sie das Stromkabel ein an der Klemmleiste. Schließen Sie die Drähte des Stromkabels gemäß dem Schaltbild (Abb.9) an der Klemmleiste an.

## 5 - TEST UND INBETRIEBNAHME DER AUTOMATION

Die Endabnahme der Anlage muss von einem qualifiziertem Techniker durchgeführt werden, der alle von der entsprechenden Norm geforderten Proben bzgl. der bestehenden Risiken

ausführen muss, insbesondere entsprechend EN12445, welche die Testmethoden für Automationen von Türen und Tore enthält.

### 5.1 - Test

Alle Komponenten der Anlage müssen entsprechend der jeweiligen Anweisungen der Handbücher endgeprüft werden.

Kontrollieren, dass die Anweisungen des Kapitels 1 beachtet werden – Anweisungen zur Sicherheit  
Kontrollieren, dass sich das Tor oder die Tür nach der Entriegelung frei bewegen können und sich in jeder Stellung im Gleichgewicht befinden und stillstehen.

Die korrekte Funktion aller verbundenen Vorrichtungen (Fotozellen,

Druckleisten, Notschalter und anderes) kontrollieren, indem man mit den Bedienvorrichtungen alle Proben der Öffnung, Schließung und Blockierung des Tors oder der Tür durchführt (Sender, Tasten, Wahlschalter).

Die Messungen der Aufprallstärke nach EN12445 durchführen, dabei Geschwindigkeit, Motorkraft und Verlangsamungen des Steuergeräts einstellen, falls die Messungen nicht die gewünschten Werte zeigen.

### 5.2 - Inbetriebnahme

Nach positivem Test aller (und nicht nur einiger) Vorrichtungen der Anlage, kann die Inbetriebnahme vorgenommen werden.

Die technischen Unterlagen der Anlage müssen ausgestellt und für 10 Jahre aufbewahrt werden, sie umfassen den Schaltplan, die Zeichnung oder ein Foto der Anlage, die Risikoanalyse und die jeweiligen Lösungen, die Konformitätserklärung des Herstellers, die Gebrauchsanweisungen einer jeden Vorrichtung und den Wartungsplan der Anlage.

Am Tor oder an der Tür ein Schild mit den Daten der Automation, dem Namen des Verantwortlichen der Inbetriebnahme, der Seriennummer, dem Herstellungsjahr sowie dem CE-Zeichen anbringen.

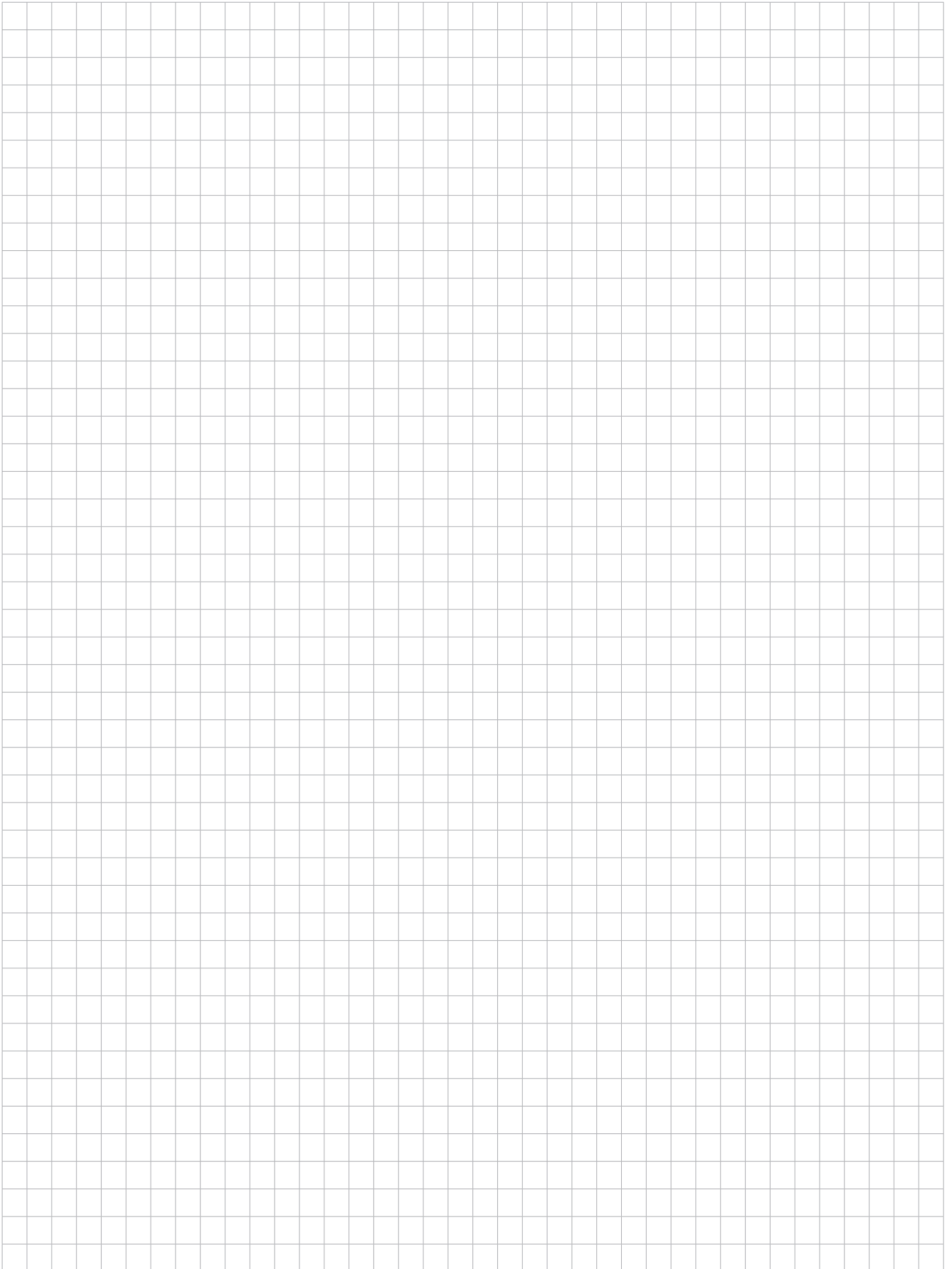
Ein Schild mit den notwendigen Handgriffen zur manuellen Entriegelung der Anlage anbringen.

Die Konformitätserklärung ausfüllen und dem Endbenutzer zusammen mit der Gebrauchsanweisung und dem Wartungsplan der Anlage aushändigen.

Sicherstellen, dass der Benutzer den automatischen und manuellen Betrieb und die Notausschaltung des Antriebs verstanden hat.

Den Endbenutzer auch schriftlich über Gefahren und Risiken informieren.

## ANMERKUNGEN



# ÍNDICE

<b>1</b>	<b>Advertências para a segurança</b>	pág. 33
<b>2</b>	<b>Introdução ao produto</b>	pág. 34
2.1	Descrição do produto	pág. 34
2.2	Características técnicas	pág. 34
<b>3</b>	<b>Verificações preliminares</b>	pág. 34
<b>4</b>	<b>Instalação do produto</b>	pág. 35
4.1	Instalação	pág. 35
4.2	Ligações eléctricas	pág. 35
<b>5</b>	<b>Teste e colocação em serviço</b>	pág. 36
5.1	Teste	pág. 36
5.2	Colocação em serviço	pág. 36
<b>6</b>	<b>Imagens</b>	pág. 44
<b>7</b>	<b>Declaração CE de conformidade</b>	pág. 48



# 1 - ADVERTÊNCIAS PARA A SEGURANÇA

## **⚠ ATENÇÃO !**

**INSTRUÇÕES ORIGINAIS – instruções importantes de segurança. É importante para a segurança das pessoas observar as seguintes instruções de segurança. Conservar estas instruções.**

Ler com atenção as instruções antes de instalar.

**O projeto e o fabrico dos dispositivos que compõem o produto e as informações presentes neste manual respeitam as normas vigentes sobre segurança. Porém, a instalação ou a programação inadequada podem causar feridas graves às pessoas que fazem o trabalho e às que utilizarão o sistema. Por este motivo, durante a instalação, é importante seguir com atenção todas as instruções deste manual.**

Não fazer a instalação se houver dúvidas de qualquer natureza e solicitar eventuais esclarecimentos ao serviço de Assistência Key Automation.

**De acordo com a legislação Europeia, a realização de uma porta ou de um portão automático deve respeitar as normas previstas pela diretiva 2006/42/CE (Diretiva Máquinas) e, em especial, as normas EN 12445; EN 12453; EN 12635 e EN 13241-1, que permitem declarar a conformidade da automação.**

Tendo em conta o que precede, a ligação definitiva do automatismo à rede elétrica, o ensaio do sistema, a sua colocação em serviço e a manutenção periódica devem ser feitas por pessoal qualificado e experiente, respeitando as instruções indicadas na caixa “Ensaio e colocação em serviço da automação”.

Além disso, deverá definir os ensaios previstos de acordo com os riscos presentes e verificar que sejam cumpridas as leis, normas e regulamentos, sobretudo todos os requisitos da norma EN 12445 que estabelece os métodos de ensaio para o controlo dos automatismos para portas e portões.

## **⚠ ATENÇÃO !**

**Antes de iniciar a instalação, fazer as seguintes análises e controlos.**

Verificar se todos os dispositivos destinados à automação são adequados ao sistema a realizar. Para tal, controlar cuidadosamente os dados no capítulo “Características técnicas”. Não fazer a instalação mesmo se apenas um destes dispositivos não for apropriado para a utilização.

Verificar se os dispositivos adquiridos são suficientes para garantir a segurança do sistema e o seu funcionamento.

Analisar os riscos, verificando também a lista dos requisitos essenciais de segurança constantes do Anexo I da Diretiva Máquinas, e indicar as soluções adotadas. A análise dos riscos é um dos documentos que fazem parte do processo técnico da automação. O processo deve ser preenchido por instalador profissional.

**Considerando as situações de risco que podem ocorrer durante as fases de instalação e de utilização do produto, é necessário instalar a automação, observando as seguintes indicações:**

não fazer modificações em nenhuma parte do automatismo se não as indicadas neste manual. Operações deste tipo podem causar funcionamento defeituoso. O fabricante declina qualquer responsabilidade por danos que resultam de produtos alterados de forma abusiva.

Evitar que as partes dos componentes da automação possam ficar submersas em água ou em outros líquidos. Durante a instalação, evitar que os líquidos possam penetrar nos dispositivos presentes;

Se o fio elétrico estiver danificado, este deve ser substituído pelo fabricante ou por seu serviço de assistência técnica ou, todavia, por uma pessoa com qualificação similar, de modo a prevenir qualquer risco;

Se substâncias líquidas penetrarem nas partes dos componentes da automação, desligar de imediato a alimentação elétrica e contactar o serviço de Assistência Key Automation. A utilização da automação nestas condições pode causar situações de perigo. Manter os componentes da automação afastados do calor e de chama aberta. Isso pode danificá-los e ser causa de funcionamento defeituoso, incêndio ou situações de perigo.

## **⚠ ATENÇÃO !**

**A unidade deve ser desligada da fonte de alimentação durante a limpeza, manutenção e substituição de componentes. Se o dispositivo de desligar não for visível, colocar um aviso com a seguinte mensagem: “MANUTENÇÃO EM CURSO”.**

Todos os dispositivos devem ser ligados a uma instalação elétrica equipada com ligação à terra de segurança.

O produto não pode ser considerado um sistema de proteção eficaz contra a intrusão. Se desejar proteger-se de forma eficaz, é necessário agregar na automação outros dispositivos.

O produto só pode ser utilizado depois que foi feita a “colocação em serviço” da automação, conforme previsto no parágrafo “Ensaio e colocação em serviço da automação”.

Instalar na rede de alimentação do sistema um dispositivo de corte de corrente com uma distância de abertura entre os contactos que permita cortar a corrente completamente nas condições estabelecidas pela categoria de sobretensão III.

Para a ligação de tubos rígidos e flexíveis ou passa-fios, utilizar ligações conformes ao grau de proteção IP55 ou superior.

O sistema elétrico a montante da automação deve cumprir as normas vigentes e ser realizado como manda a lei.

o aparelho pode ser utilizado por crianças de idade não inferior a 8 anos e por pessoas com capacidade física, sensorial ou mental reduzida, ou que não tenha experiência ou a consciência necessária, à condição que sob supervisão ou depois de terem recebido instruções sobre a utilização segura do aparelho e se compreenderam os perigos existentes;

Antes de ligar a automação, assegurar-se que as pessoas não estejam perto da mesma.

Antes de fazer qualquer operação de limpeza e de manutenção da automação, desligar da corrente elétrica.

Deve-se ter cuidado para evitar o esmagamento entre a parte guiada e eventuais elementos fixos circundantes. As crianças devem ser supervisionadas para garantir que não brinquem com o aparelho.

o aparelho não pode ser utilizado com uma porta automatizada que possui uma porta para peões.

## **⚠ ATENÇÃO !**

**Examine periodicamente o sistema para verificar se há desalinhamentos ou sinais de desgaste mecânico, danos nos cabos, molas, peças de suporte.**

**Não use se é necessária a reparação ou ajuste.**

## **⚠ ATENÇÃO !**

**O material da embalagem de todos os componentes da automação deve ser eliminado de acordo com a norma local.**

**A KEY AUTOMATION reserva-se o direito de modificar estas instruções se necessário. Esta versão ou versão superior encontra-se no sítio [www.keyautomation.it](http://www.keyautomation.it)**

## 2 - INTRODUÇÃO AO PRODUTO

### 2.1 - Descrição do produto

Os motoredutores STAR são projetados para a instalação em sistemas de automação para portões de batente.

Os motoredutores STAR são projetados e fabricados para montagem em portas de batentes nos limites de peso listados na tabela

de especificações.

É proibida a utilização dos motorreductores para aplicações diferentes das que foram indicadas anteriormente.

### 2.2 - Modelos e características técnicas

#### DADOS TÉCNICOS

MODELO		STAR2024	STAR3024
<b>ESPECIFICAÇÕES TÉCNICAS</b>			
Velocidade	cm/s	20	20
Força de impulso	N	1400	1400
Ciclo de trabalho	%	80	80
Tempo de abertura a 90°	sec	regulável	regulável
Unidade de comando		CT20224	CT20224
Alimentação	Vac (Vdc)	(24)	(24)
Absorção do motor	A	3,5	3,5
Potência do motor	W	85	85
Grau de proteção	IP	54	54
Dimensões (compr. - prof. - alt.)	mm	646 - 115 - 177	796 - 115 - 177
Peso	Kg	3	3,2
Temperatura de utilização	°C	-20°+55	-20°+55
Peso máximo da folha	Kg	400	400

## 3 - VERIFICAÇÕES PRELIMINARES

Antes de instalar o produto, verifique e controle os seguintes pontos:

- Verificar se o portão ou a porta são adequados para serem automatizados.
- O peso e tamanho do portão ou da porta tem de estar dentro dos limites máximos permitidos para a utilização especificados na Fig.2
- Verificar a presença e a solidez das paragens mecânicas de segurança do portão ou da porta
- Verificar se a zona de fixação do produto não está sujeita a inundações
- Condições de elevada acidez ou salinidade ou a proximidade de fontes de calor poderão causar avarias no produto
- Em caso de condições climáticas extremas (por exemplo, na presença de neve, gelo, elevada amplitude térmica, temperaturas elevadas) o atrito poderá aumentar e, portanto, a força necessária

para a movimentação e o impulso inicial poderão ser superiores aos necessários em condições normais.

Verificar se a movimentação manual do portão ou da porta é fluida e sem zonas de grande atrito ou se existe risco de descarrilhamento do mesmo

- Verificar se o portão ou a porta estão em equilíbrio e se permanecem parados caso sejam deixados em qualquer posição
- Verificar se a linha eléctrica à qual será ligado o produto possui ligação à terra de segurança e é protegida por um dispositivo magnetotérmico e diferencial
- Disponha na rede de alimentação do sistema um dispositivo de desconexão com uma distância de abertura dos contactos que permita a desconexão completa nas condições exigidas pela categoria de sobretensão III
- Verificar se todo o material utilizado para a instalação está em conformidade com as normativas vigentes

## 4 - INSTALAÇÃO DO PRODUTO

### 4.1 - Instalação

Antes de prosseguir com a instalação, verifique a integridade do produto e que todos os componentes estejam no pacote.

Também verifique que a zona de fixação do motorreductor seja compatível com as dimensões globais (Fig.1).

O curso da folha deve ser limitado, seja na abertura ou no fechamento, com batentes mecânicos fixos ao solo.

Verifique o ângulo de abertura permitido sob os pontos de montagem dos suportes com o gráfico (Fig.4).

A Fig.3 mostra uma instalação típica:

- Motorredutores
- Fotocélulas
- Colunas para fotocélulas
- Luz intermitente com antena interna
- Interruptor de chave ou teclado digital
- Central de controle

#### Instalação de suporte de fixação posterior

A posição de fixação do suporte posterior é determinada de acordo com o gráfico (Fig.4).

Importante: são preferíveis as instalações nas quais os valores "A" e "B" (Fig.5) sejam mais semelhantes entre si.

Se necessário, corte o suporte traseiro (Fig. 6) para obter o valor "B", em seguida, solde o suporte à parede.

Fixe o suporte à parede com soldagem, parafusos ou buchas (não incluídos).

#### Instalação de suporte de fixação posterior

O suporte frontal deve ser fixado ao portão de acordo com a dimensão de "E" (Fig.5).

#### Instalação do motorreductor

Coloque o motorreductor no suporte traseiro e insira o parafuso de fixação.

Insira o pino do suporte do trilho na bucha de fixação frontal e fixe-o com o parafuso e arruela incluídos.

Aperte o parafuso com a porca do suporte posterior montado antes.

Com a operação concluída, destrave o motor e verifique manualmente se a porta está livre para abrir, parando com as extremidades mecânicas na abertura, executando a rotação prevista na tabela da Fig. 4.

### ATENÇÃO !

**Rotações superiores às indicadas na tabela da Fig. 4 com as dimensões escolhidas A e B, mais geometricamente possíveis, podem envolver danos irreversíveis ao accionador.**

**Posicionar os fins de curso mecânicos de abertura firmemente fixados ao solo, de modo que essa rotação não seja superada.**

### 4.2 - Instalações eléctricas

Ligar o cabo de alimentação à placa de bornes. Ligar os fios do cabo de alimentação à placa de bornes segundo o esquema elétrico (Fig. 9).

## 5 - TESTE E COLOCAÇÃO EM SERVIÇO DA MÁQUINA

O teste do sistema deve ser executado por um técnico qualificado que deve efectuar os testes solicitados pela normativa de referência em função dos riscos presentes, verificando o

cumprimento das disposições previstas pelas normativas, em particular a norma EN12445 que indica os métodos de teste a máquinas para portas e portões.

### 5.1 - Teste

Todos os componentes do sistema devem ser testados de acordo com os procedimentos indicados nos respectivos manuais de instruções.

Verifique se foram respeitadas as indicações do Capítulo 1 – Advertências para a segurança.

Verifique se o portão ou a porta pode movimentar-se livremente assim que o sistema electrónico estiver pronto para funcionar e se está em equilíbrio e permanece parado na posição desejada

Verifique o funcionamento correcto de todos os dispositivos ligados (fotocélulas, bordas sensíveis, botões de emergência, outros) efectuando testes de abertura, fechamento e paragem do portão ou da porta através dos dispositivos de comando ligados (transmissores, botões, selectores).

Realize as medições da força de impacto conforme previsto pela norma EN12445 regulando as funções de velocidade, força motor e desacelerações da central, caso as medições não forneçam os resultados desejados até encontrar a configuração certa.

### 5.2 - Colocação em serviço

Após o teste positivo de todos (e não apenas de alguns) dispositivos do sistema, o sistema pode ser operado.

É necessário realizar e conservar durante 10 anos o manual técnico do sistema que deverá incluir o esquema eléctrico, o desenho ou fotografia do sistema, a análise dos riscos e as soluções adoptadas, a declaração de conformidade do fabricante de todos os dispositivos ligados, o manual de instruções de cada dispositivo e o plano de manutenção do sistema.

Afixe no portão ou a porta uma placa com a indicação dos dados da máquina, o nome do responsável pela colocação em serviço, o número de matrícula, o ano de construção e a marca CE.

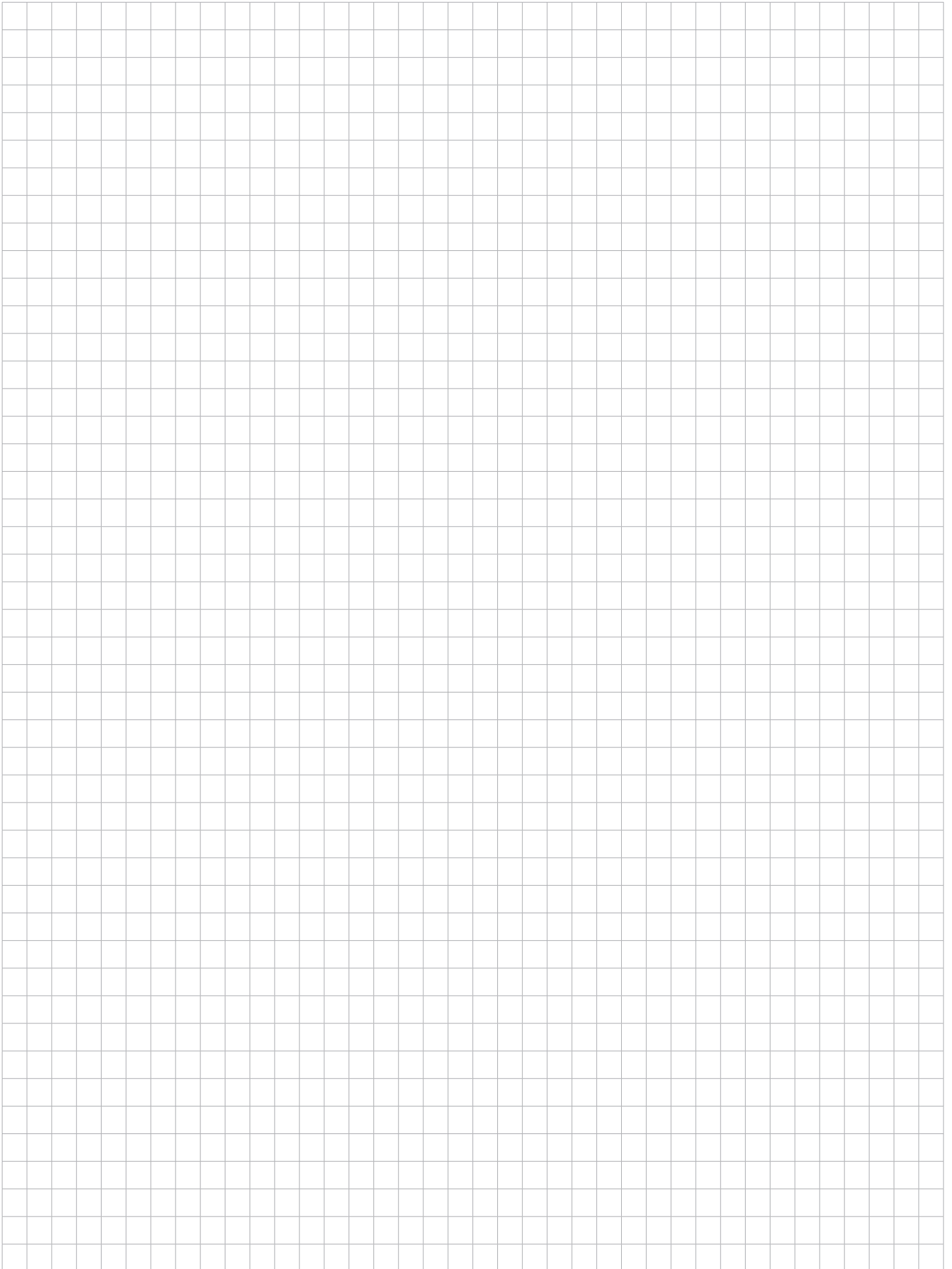
Afixe uma placa que indique as operações necessárias para desbloquear manualmente o sistema.

Faça e entregue ao utilizador final a declaração de conformidade, as instruções e advertências de utilização e o plano de manutenção do sistema.

- Verifique se o utilizador entendeu o correcto funcionamento automático, manual e de emergência do dispositivo.

Informe também por escrito o utilizador final acerca dos perigos e riscos presentes.

## NOTAS



## SPIS TREŚCI

<b>1</b>	<b>Zalecenia dotyczące bezpieczeństwa</b>	str. 39
<b>2</b>	<b>Omówienie produktu</b>	str. 40
2.1	Opis produktu	str. 40
2.2	Dane techniczne	str. 40
<b>3</b>	<b>Kontrole wstępne</b>	str. 40
<b>4</b>	<b>Instalacja produktu</b>	str. 41
4.1	Instalacja	str. 41
4.2	Połączenia elektryczne	str. 41
<b>5</b>	<b>Próba techniczna i wprowadzenie do użytku</b>	str. 42
5.1	Próba techniczna	str. 42
5.2	Wprowadzenie do użytku	str. 42
<b>6</b>	<b>Ilustracje</b>	str. 44
<b>7</b>	<b>Deklaracja zgodności WE</b>	str. 48

# 1 - ZALECENIA DOTYCZĄCE BEZPIECZEŃSTWA

## UWAGA!

**INSTRUKCJA ORYGINALNA – ważne zalecenia dotyczące bezpieczeństwa.** W celu zapewnienia bezpieczeństwa osób należy stosować się do poniższych zaleceń. Zachować niniejszą instrukcję.

Przed przystąpieniem do montażu zapoznać się uważnie z treścią instrukcji.

Procesy projektowania i produkcji urządzeń wchodzących w skład produktu, jak też informacje zawarte w niniejszej instrukcji, spełniają wymogi obowiązujących przepisów bezpieczeństwa. Pomimo tego nieprawidłowa instalacja oraz błędne programowanie mogą spowodować poważne obrażenia osób wykonujących montaż lub eksploatujących instalację. Dlatego też podczas wykonywania instalacji należy rygorystycznie stosować się do wszelkich zaleceń podanych w niniejszej instrukcji.

Nie kontynuować montażu w przypadku wystąpienia jakichkolwiek wątpliwości. Zwrócić się wcześniej o wyjaśnienia do serwisu technicznego Key Automation.

**W myśl prawodawstwa europejskiego wykonanie bramy garażowej lub ogrodzeniowej z napędem powinno przebiegać zgodnie z wymogami Dyrektywy 2006/42/WE (Dyrektywa Maszynowa), a w szczególności zgodnie z wymogami norm EN 12445; EN 12453; EN 12635 oraz EN 13241-1, które umożliwiają wydanie deklaracji zgodności automatyki.**

Zważając na powyższe, ostateczne podłączenie automatyki do sieci elektrycznej, odbiór instalacji, uruchomienie oraz konserwacja okresowa powinny być wykonywane przez wykwalifikowany i doświadczony personel. Zobowiązany on jest do stosowania się do zaleceń podanych w rozdziale „Odbiór techniczny i uruchomienie automatyki”.

Ponadto wspomniany personel zobowiązany jest do przeprowadzenia odpowiednich testów, w zależności od występujących zagrożeń, oraz do sprawdzenia, czy spełniane są wymogi odpowiednich przepisów, norm i uregulowań. W szczególności dotyczy to spełnienia wszystkich wymogów normy EN 12445, która określa metody badań kontrolnych automatyki bram garażowych i ogrodzeniowych.

## UWAGA!

**Przed przystąpieniem do montażu wykonać następujące analizy i kontrole:**

Sprawdzić, czy poszczególne urządzenia automatyki są przydatne do danych celów i dostosowane do wykonywanej instalacji. W tym celu sprawdzić dokładnie dane podane w rozdziale „Parametry techniczne”. Nie przystępować do wykonywania instalacji w przypadku, gdy nawet jeden element nie nadaje się do użycia.

Sprawdzić, czy urządzenia obecne w zestawie są wystarczające do zapewnienia bezpieczeństwa instalacji oraz jej poprawnego działania.

Przeprowadzić analizę zagrożeń, która powinna obejmować również wykaz zasadniczych wymogów bezpieczeństwa, wymienionych w Załączniku I Dyrektywy Maszynowej, wraz ze wskazaniem zastosowanych rozwiązań. Analiza zagrożeń jest jednym z dokumentów wchodzących w zakres dokumentacji technicznej automatyki. Dokument powinien zostać wypełniony przez profesjonalnego instalatora.

**Z uwagi na niebezpieczne sytuacje, które mogą wystąpić podczas montażu oraz używania produktu, produkt należy montować, przestrzegając następujących zaleceń:**

Zabrania się dokonywania modyfikacji jakiegokolwiek części, jeżeli nie zostało to wyraźnie wskazane w niniejszej instrukcji. Niestosowanie się do powyższych zaleceń może stanowić przyczynę nieprawidłowego działania napędu. Producent nie ponosi żadnej odpowiedzialności z tytułu szkód powstałych w wyniku tego rodzaju modyfikacji.

w przypadku stwierdzenia uszkodzenia przewodu elektrycznego, powinien on zostać wymieniony przez producenta, autoryzowany serwis techniczny lub przez osobę posiadającą odpowiednie kwalifikacje, co zapobiegnie powstawaniu zagrożenia; Należy unikać zanurzania elementów układu automatyki w wodzie lub w innego rodzaju cieczach. Podczas montażu zwracać uwagę, aby żadnego rodzaju cieczy nie dostały się do wnętrza urządzeń.

W przypadku, gdyby płynne substancje przedostały się do wnętrza elementów układu automatyki, odłączyć niezwłocznie zasilanie elektryczne i skontaktować się z serwisem technicznym Key Automation. Użytkowanie automatyki w powyższej sytuacji stanowi źródło zagrożenia.

Nie składować żadnego z elementów układu automatyki w pobliżu źródła ciepła oraz nie wystawiać na działanie otwartych płomieni. Może to spowodować uszkodzenia lub nieprawidłowe działanie, pożar bądź sytuację zagrożenia.

## UWAGA!

**Jednostkę należy odłączyć od źródła zasilania na czas czyszczenia, konserwacji i wymiany komponentów. Jeżeli urządzenie odłączające nie jest widoczne, umieścić tablicę z napisem: „UWAGA TRWAJĄ PRACE KONSERWACYJNE”.**

Wszystkie urządzenia należy podłączać do linii zasilania elektrycznego wyposażonej w uzziemienie zabezpieczające.

Produkt nie stanowi skutecznego systemu zabezpieczającego przed włamaniem. W przypadku konieczności takiego zabezpieczenia, automatykę należy poszerzyć o dodatkowe urządzenia.

Produkt może być używany wyłącznie po podłączeniu automatyki do uzziemienia, zgodnie z instrukcją podaną w paragrafie „Odbiór techniczny oraz uruchomienie automatyki”.

W sieci zasilania instalacji zamontować urządzenie odłączające, w którym odległość otwartych styków umożliwiać będzie całkowite odłączenie instalacji w warunkach określonych w III kategorii przepięciowej.

Na użytek podłączenia sztywnych lub elastycznych przewodów lub też przewodniczących używać złączy posiadających stopień ochrony IP55 lub wyższy.

Instalacja elektryczna znajdująca się przed automatyką powinna spełniać wymogi obowiązujących przepisów oraz powinna zostać wykonana zgodnie z zasadami sztuki.

urządzenie może być obsługiwane przez dzieci w wieku powyżej 8 lat oraz przez osoby z ograniczonymi zdolnościami fizycznymi, sensorycznymi lub umysłowymi lub osoby nieposiadające wystarczającego doświadczenia albo wiedzy, jeśli osoby te pozostają pod nadzorem lub zostały pouczone w zakresie bezpiecznej obsługi urządzenia i są świadome związanych z tym zagrożeń;

przed uruchomieniem automatyki upewnić się, że w pobliżu nie znajdują się żadne osoby;

przed przystąpieniem do czynności czyszczenia i konserwacji automatyki, odłączyć ją od sieci elektrycznej;

należy zachować szczególną uwagę, aby uniknąć zgniecenia pomiędzy elementem ruchomym a otaczającymi go elementami stałymi; Dzieci powinny pozostawać pod opieką dorosłych, co wykluczy możliwość niewłaściwej obsługi urządzenia.

urządzenie nie może być wykorzystywane do obsługi bramy automatycznej, w którą wbudowane jest przejście dla pieszych.

## UWAGA!

**Sprawdzać okresowo konstrukcję pod kątem utraty wyważenia, oznak zużycia mechanicznego, uszkodzenia przewodów, sprężyn lub części podporowych. Nie używać, jeżeli jest to konieczne naprawy lub regulacji.**

**Materiał, z którego zostało wykonane opakowanie wszystkich elementów układu automatyki, należy zutylizować, przestrzegając miejscowych przepisów prawa w tym zakresie. KEY AUTOMATION zastrzega sobie prawo do modyfikowania niniejszej instrukcji w razie takiej potrzeby. Wersja aktualna, i/ lub nowsze wersje instrukcji znajdują się na stronie internetowej [www.keyautomation.it](http://www.keyautomation.it)**



## 2 - OMÓWIENIE PRODUKTU

### 2.1 - Opis produktu

Motoreduktory STAR są przeznaczone do instalacji w systemach automatyki do bram skrzydłowych.

Motoreduktory STAR zostały zaprojektowane i zbudowane w celu montażu na skrzydłach bram z uwzględnieniem ograniczeń

wagowych podanych w tabeli specyfikacji technicznych.

Zabrania się użycia motoreduktorów do zastosowań innych niż wskazane powyżej.

### 2.2 - Dane techniczne

#### DANE TECHNICZNE

MODEL		STAR2024	STAR3024
PARAMETRY TECHNICZNE			
Prędkość	cm/s	20	20
Siła pchania	N	1400	1400
Cykl pracy	%	80	80
Czas otwierania w położeniu 90°	sec	nastawny	nastawny
Centrale sterujące		CT20224	CT20224
Zasilanie	Vac (Vdc)	(24)	(24)
Pobór prądu silnika	A	3,5	3,5
Moc silnika	W	85	85
Stopień ochrony	IP	54	54
Wymiary (D – S – W)	mm	646 - 115 - 177	796 - 115 - 177
Masa	Kg	3	3,2
Temperatura pracy	°C	-20°+55	-20°+55
Maksymalna masa skrzydła	Kg	400	400

## 3 - KONTROLE WSTĘPNE

Przed zainstalowaniem produktu należy:

- Skontrolować, czy brama lub drzwi nadają się do automatyzacji

- Waga i wymiary bramy lub drzwi muszą zawierać się w maksymalnych granicach zastosowania wskazanych na Rys.2

- Skontrolować obecność i solidność mechanicznych ograniczników bezpieczeństwa bramy lub drzwi

- Sprawdzić, czy miejsce zamocowania produktu nie jest miejscem podatnym na zalanie.

- Warunki podwyższonej kwasowości lub zasolenia oraz bliskość źródeł ciepła mogą powodować usterki w pracy produktu

- W ekstremalnych warunkach klimatycznych (takich jak na przykład śnieg, lód, nagła zmiana temperatury, wysokie temperatury) może dojść do wzmożonego tarcia i tym samym siła potrzebna do poruszania skrzydła oraz początkowa moc rozruchowa mogą być większe niż w normalnych warunkach.

- Skontrolować, czy ręczne przesuwanie bramy lub drzwi przebiega płynnie i czy brak jest odcinków o zwiększonym tarcu oraz czy nie ma niebezpieczeństwa wykolejenia się skrzydła

- Skontrolować, czy brama lub drzwi są w równowadze i czy przy pozostawieniu ich w dowolnej pozycji, pozostają w bezruchu

- Sprawdzić, czy linia elektryczna, do której będzie podłączony produkt, jest wyposażona w odpowiednie uziemienie zabezpieczające i czy jest chroniona przez wyłącznik magneto-termiczny i wyłącznik różnicowoprądowy

- Sieć zasilającą instalację należy wyposażyć w urządzenie rozłączające o takiej odległości rozwarcia styków, która umożliwi całkowite rozłączenie w warunkach określonych dla kategorii przepięć III.

- Sprawdzić, czy wszystkie materiały użyte do instalacji są zgodne z obowiązującymi przepisami



## 4 - INSTALACJA PRODUKTU

### 4.1 - Instalacja

Przed rozpoczęciem instalacji, należy sprawdzić, czy produkt nie jest uszkodzony i czy wszystkie jego komponenty znajdują się w opakowaniu.

Należy również upewnić się, że miejsce zamocowania motoreduktora jest kompatybilne z jego wymiarami (Rys.1).

Upewnij się, że ruch skrzydeł jest ograniczony podczas otwierania i zamykania za pomocą mechanicznych ograniczników krańcowych bezpiecznie przymocowanych do podłoża.

Sprawdź przy użyciu wykresu dozwolony kąt otwarcia na podstawie miejsc mocowania obejm (Rys.4).

Na rys.3 przedstawiono tytułem przykładu typowy sposób instalacji:

- Motoreduktory
- Fotokomórki
- Słupki do fotokomórek
- Lampa sygnalizacyjna z wbudowaną anteną
- Przełącznik kluczykowy lub klawiatura cyfrowa
- Centrala sterująca

#### Instalacja tylnej obejm mocującej

Położenie, w którym mocowana jest obejma tylna, należy określić na podstawie wykresu (Rys.4).

Ważne: w najlepszych rozwiązaniach instalacyjnych wartości "A" i "B" (Rys.5) są do siebie maksymalnie zbliżone.

W razie potrzeby, należy przeciąć obejmę tylną (Rys.6) tak, aby uzyskać wartość "B", a następnie przyspawać ją do obejmę mocującej do muru.

Na koniec należy przymocować obejmę mocującą do muru przy spawanie, użyciu śrub lub kołków rozporowych (nieдостаarczonych na wyposażeniu).

#### Instalacja przedniej obejmę mocującej

Obejmę przednią należy przymocować do skrzydła bramy zgodnie z wartością "E" (Rys.5).

#### Instalacja motoreduktora

Przyłożyć motoreduktor do obejmę tylnej i włożyć śrubę mocującą. Wprowadzić sworzeń obejmę przesuwu w tuleję obejmę przedniej i zamocować go przy użyciu śruby i podkładki dostarczonych na wyposażeniu.

Przykręcić nakrętkę śruby na zamontowanej wcześniej obejmę tylnej.

Po zakończeniu procesu instalacji, należy zwolnić siłownik i upewnić się, że brama otwiera się płynnie bez usztywnień i zatrzymuje się na mechanicznych ogranicznikach krańcowych, uzyskując otwarcie bramy określone przez pozycję zainstalowanego siłownika w odniesieniu do Ryc.4.

#### UWAGA!

**Nie przekraczaj otwarcia skrzydła określonego przez pozycję zainstalowanego silnika, w odniesieniu do Ryc. 4, w przeciwnym razie siłownik może zostać nieodwracalnie uszkodzony!**

### 4.2 - Połączenia elektryczne

Wsunąć przewód elektryczny zasilania do listwy zaciskowej. Podłączyć druty przewodu zasilania do listwy zaciskowej, zgodnie ze schematem elektrycznym (rys. 9).

## 5 - PRÓBA TECHNICZNA I WPROWADZENIE DO UŻYTKU

Procedura testowania instalacji musi zostać przeprowadzona przez wykwalifikowanego technika. Zadaniem technika jest przeprowadzenie prób przewidzianych przepisami dla istniejącego

ryzyka, ustalając zgodność instalacji z obowiązującymi normami, a szczególnie z normą EN 12445, określającą metody prób dla systemów automatyki drzwi i bram.

### 5.1 - Próba techniczna

Wszystkie komponenty instalacji muszą zostać poddane próbie technicznej, zgodnie z procedurami określonymi w instrukcjach obsługi

Skontrolować, czy przestrzegane są zalecenia Rozdziału 1 – Zalecenia dotyczące bezpieczeństwa

Skontrolować, czy po odblokowaniu systemu automatyki brama lub drzwi mogą poruszać się bez przeszkód, czy są w równowadze i czy pozostają w bezruchu przy zatrzymaniu ich w dowolnym położeniu

Skontrolować prawidłowe działanie wszystkich podłączonych urządzeń (fotokomórek, listew zabezpieczających, przycisków awaryjnych i innych), przeprowadzając próby otwierania, zamykania i zatrzymywania bramy lub drzwi za pomocą podłączonych urządzeń sterowania (nadajników, przycisków, przełączników)

Zmierzyć siłę uderzenia, zgodnie z postanowieniami normy EN12445, regulując funkcje prędkości, siłę silnika i zwalnianie centrali, a w przypadku, gdy pomiary nie okażą się zadowalające, kontynuować regulację, aż do znalezienia prawidłowych ustawień

### 5.2 - Wprowadzenie do użytku

Po uzyskaniu pozytywnego wyniku próby wszystkich (a nie tylko niektórych) urządzeń będących częścią instalacji, można wprowadzić produkt do użytku

Konieczne jest utworzenie i przechowywanie przez 10 lat dokumentacji technicznej instalacji, która musi zawierać schemat elektryczny, rysunek lub zdjęcie instalacji, analizę ryzyka i zastosowane rozwiązania, deklarację zgodności producenta odnośnie wszystkich podłączonych urządzeń, instrukcję obsługi każdego urządzenia i plan konserwacji instalacji

Na bramie lub drzwiach należy zamocować tabliczkę z danymi systemu automatyki, imieniem i nazwiskiem osoby odpowiedzialnej za wprowadzenie do użytku, numer seryjny, rok produkcji i oznaczenie

CE.

Zamocować tabliczkę określającą czynności konieczne do ręcznego odblokowania instalacji

Przygotować i dostarczyć użytkownikowi końcowemu deklarację zgodności, instrukcje i zalecenia na temat użytkowania kierowane do użytkownika końcowego oraz plan konserwacji instalacji  
Upewnić się, czy użytkownik zrozumiał sposób prawidłowego działania systemu automatyki w trybie automatycznym, ręcznym i awaryjnym.

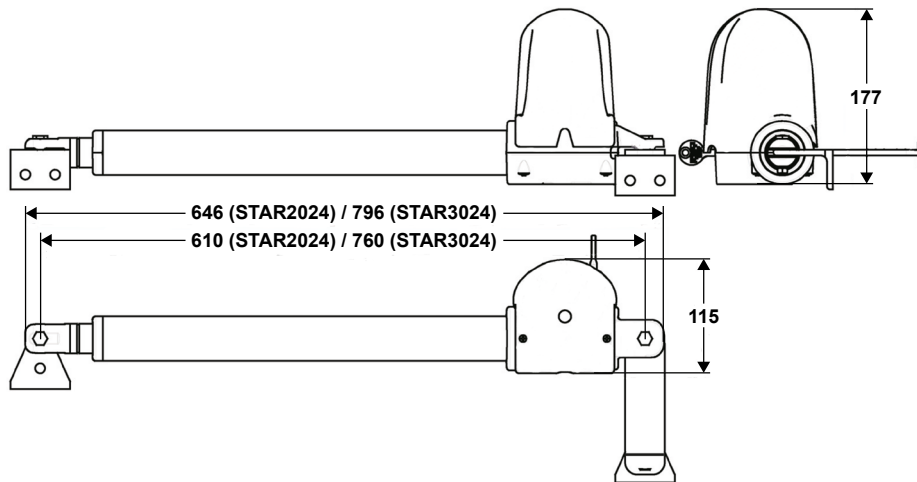
Należy poinformować użytkownika końcowego, również na piśmie, o istniejących niebezpieczeństwach i zagrożeniach



# IMAGES

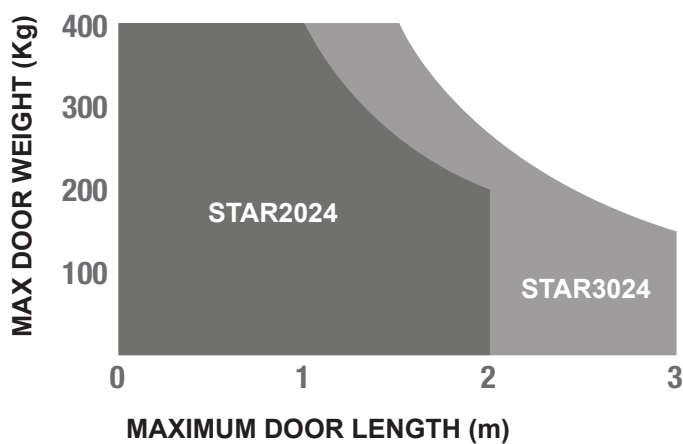
**Fig. 1 IT - Dimensioni d'ingombro**  
 EN - Space dimensions  
 DE - Abmessungen  
 ES - Dimensiones

**FR - Dimensions d'encombrement**  
 PT - Dimensões globais  
 PL - Wymiary



**Fig. 2 IT - Limiti di impiego**  
 EN - Use limitations  
 DE - Einsatzgrenzen  
 ES - Límites de uso

**FR - Limites d'utilisation**  
 PT - Limites de uso  
 PL - Ograniczenia użytkowania



**KG**

- IT - Peso massimo dell' anta del cancello
  - EN - Maximum weight of the gate door
  - FR - Poids maximum du battant du portail
  - ES - Peso máximo de la puerta de la cancela
  - DE - Maximales Gewicht des Torflügels
  - PT - Peso máximo do painel do portão
  - PL - Waga maksymalna skrzydła bramy
- m**
- IT - Lunghezza massima dell' anta del cancello
  - EN - Maximum length of the gate door
  - FR - Longueur maximum du battant du portail
  - ES - Longitud máxima de la puerta de la cancela
  - DE - Maximale Länge des Torflügels
  - PT - Comprimento máximo do painel do portão
  - PL - Długość maksymalna skrzydła bramy

**Fig. 3 IT - Installazione tipica**  
 EN - Typical Installation  
 DE - Typische Installation  
 ES - Instalación típica

**FR - Installation type**  
 PT - Instalação típica  
 PL - Typowy sposób instalacji



Fig. 4 IT - Rappresentazione quote  
 EN - Quotes representation  
 DE - Darstellung der Werte  
 ES - Representación cuotas

FR - Représentation hauteurs  
 PT - Quotas de representação  
 PL - Przedstawienie wartości

## STAR2024

		OPENING ANGLE TABLE									
B	220	90°									
	200	90°	96°								
	180	90°	96°	97°							
	160	90°	97°	103°	97°	90°					
	140	90°	98°	105°	108°	98°	92°				
	120	90°	99°	107°	114°	106°	98°	93°			
	100	90°	101°	110°	117°	116°	105°	98°	94°	90°	
	80	100	120	140	160	180	200	220	240		
A											

		POSITION FRONT CLAMP D [mm]									
B	220	853									
	200	856	836								
	180	859	839	819							
	160	861	841	821	801	781					
	140	862	842	822	802	782	762				
	120	864	844	824	804	784	764	744			
	100	865	845	825	805	785	765	745	725	705	
	80	100	120	140	160	180	200	220	240		
A											

Position of the Front Clamp E = 945 mm (always)

## STAR3024

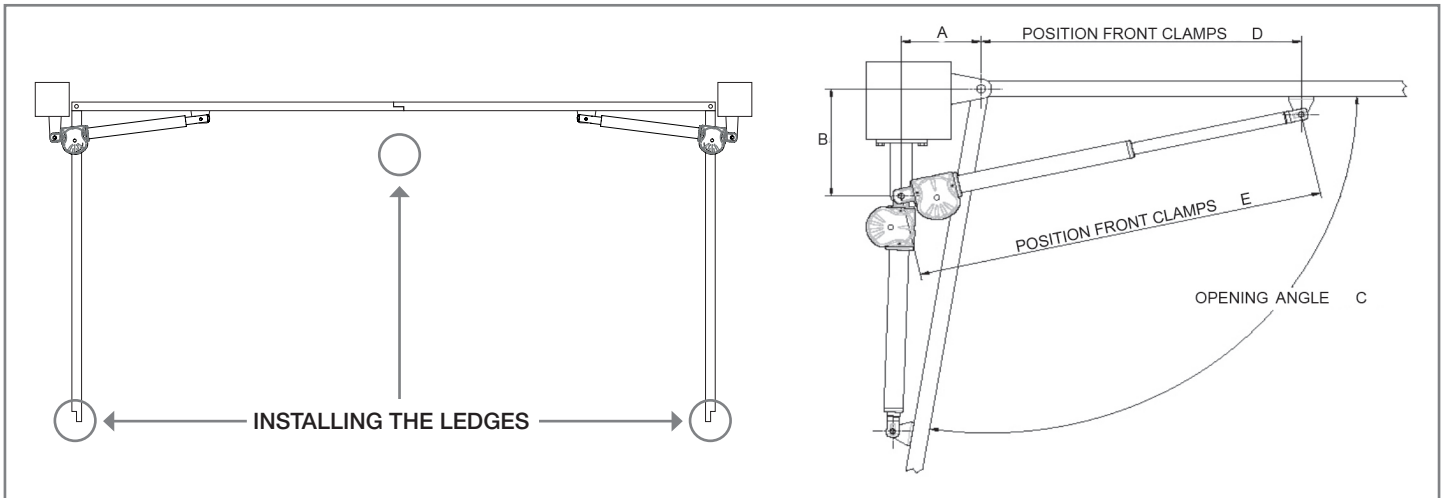
		OPENING ANGLE TABLE													
B	280	90°													
	260	90°	94°	90°											
	240	90°	95°	99°											
	220	90°	95°	100°	102°	93°									
	200	90°	96°	101°	106°	101°	94°								
	180	90°	96°	102°	107°	112°	101°	95°	91°						
	160	90°	97°	103°	109°	114°	110°	101°	96°	92°					
	140	90°	98°	105°	111°	117°	121°	108°	101°	97°	93°	90°			
	120	90°	99°	107°	114°	120°	125°	116°	107°	102°	97°	94°	92°	90°	
	100	90°	101°	109°	117°	123°	128°	124°	113°	107°	102°	98°	95°	93°	91°
	80	100	120	140	160	180	200	220	240	260	280	300	320	340	
A															

		POSITION FRONT CLAMP D [mm]													
B	280	995													
	260	998	978	958											
	240	1002	982	962											
	220	1005	985	965	945	925									
	200	1007	987	967	947	927	907								
	180	1009	989	969	949	929	909	889	869						
	160	1011	991	971	951	931	911	891	871	851					
	140	1013	993	973	953	933	913	893	873	853	833	813			
	120	1014	994	974	954	934	914	894	874	854	834	814	794	774	
	100	1095	995	975	955	935	915	895	875	855	835	815	795	775	755
	80	100	120	140	160	180	200	220	240	260	280	300	320	340	
A															

Position of the Front Clamp E = 1095 mm (always)

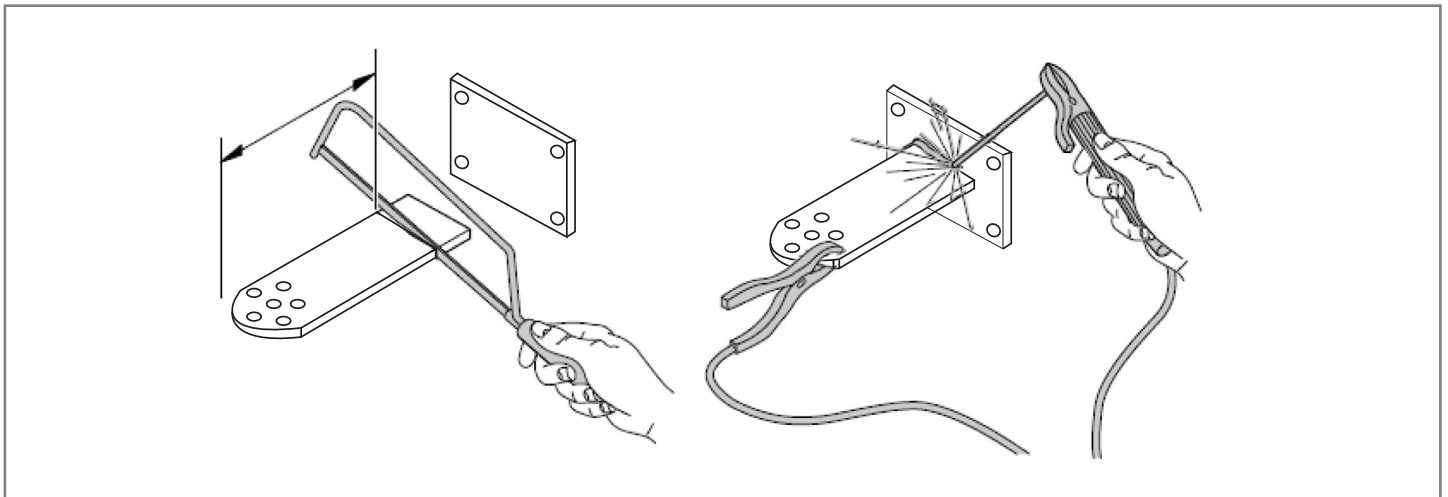
**Fig. 5 IT - Grafico angolo di apertura**  
**EN - Opening angle graph**  
**DE - Zeichnung zum Öffnungswinke**  
**ES - Gráfico ángulo de apertura**

**FR - Graphique angle d'ouverture**  
**PT - Gráfico ângulo de abertura**  
**PL - Wykres kąta otwarcia**



**Fig. 6 IT - Taglio staffa posteriore**  
**EN - Cutting the rear bracket**  
**DE - Schneiden des hinteren Bügels**  
**ES - Corte estribo posterior**

**FR - Coupe du chevron arrière**  
**PT - Tamanho suporte posterior**  
**PL - Przekięcie obejmj tylnej**



**Fig. 7 IT - Fissaggio staffa anteriore**  
**EN - Attaching the front bracket**  
**DE - Befestigung des vorderen Bügels**  
**ES - Fijación del estribo anterior**

**FR - Fixation du chevron avant**  
**PT - Fixação suporte anterior**  
**PL - Mocowanie obejmj przedniej**

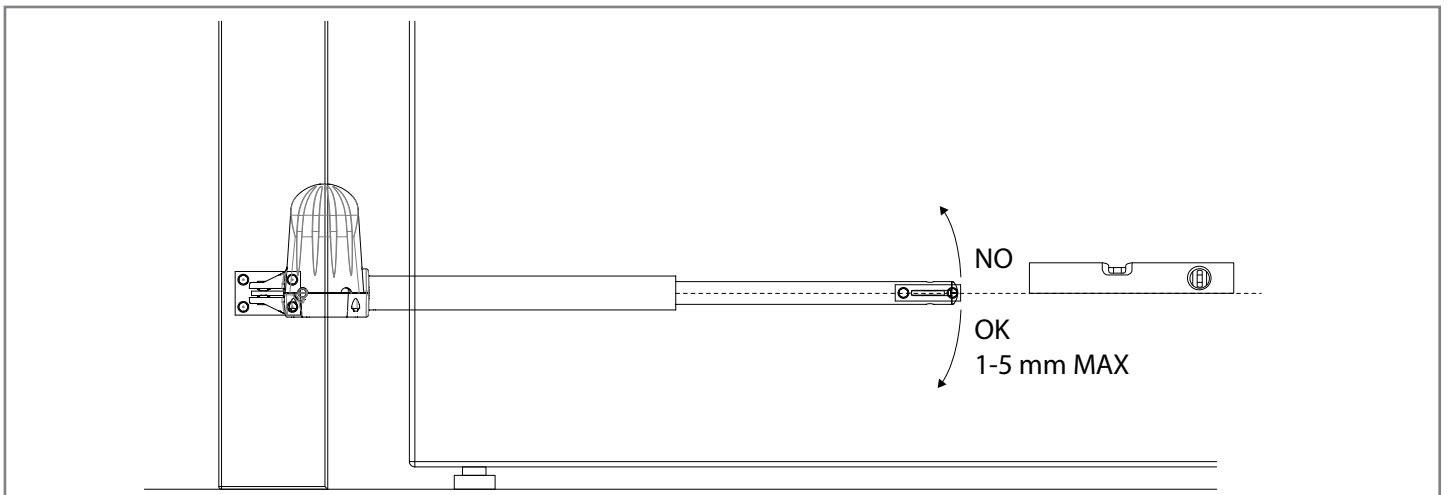


Fig. 8 IT - Sblocco del motoriduttore  
EN - Gearmotor release  
DE - Entriegeln des Getriebemotors  
ES - Desbloqueo del motorreductor

FR - Déblocage du motoréducteur  
PT - Desbloqueio do motorreductor  
PL - Odblokowanie motoreduktora

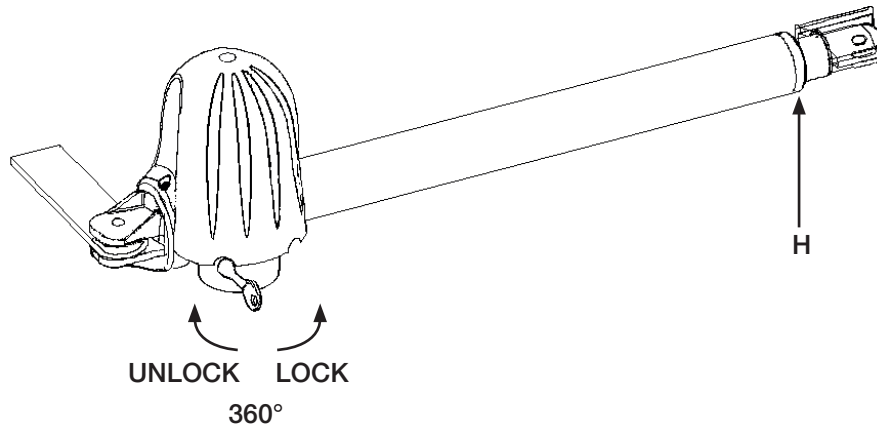
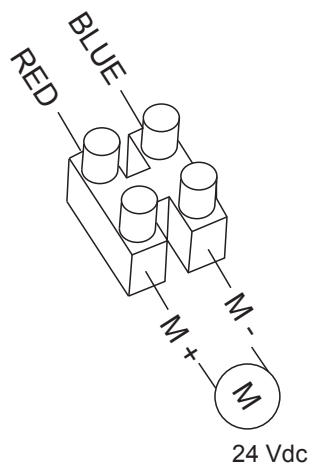


Fig. 9 IT - Conessioni elettriche  
EN - Electrical connections  
DE - Elektrische Anschlüsse  
ES - Conexiones eléctricas

FR - Connexions électriques  
PT - Conexões eléctricas  
PL - Połączenia elektryczne



### DICHIARAZIONE DI INCORPORAZIONE DI QUASI-MACCHINA

#### DECLARATION OF INCORPORATION OF PARTLY COMPLETED MACHINERY

Il sottoscritto Nicola Michelin, Amministratore Delegato dell'azienda  
*The undersigned Nicola Michelin, General Manager of the company*

Key Automation srl, Via Meucci 23 - 30027 San Dona' di Piave (VE) – ITALIA

dichiara che il prodotto tipo:  
*declares that the product type:*

**STAR 24**

Motoriduttore elettromeccanico irreversibile 24Vdc a pistone per cancelli battenti  
*Electromechanical irreversible 24Vdc piston for swing gates*

Modello:  
*Model:*

STAR2024, STAR2024DX, STAR2024SX,  
STAR3024, STAR3024DX, STAR3024SX,  
900PS400-24FA

E' conforme a quanto previsto dalle seguenti direttive comunitarie:  
*Is in conformity with the following community (EC) regulations:*

Direttiva macchine / *Machinery Directive 2006/42/EC*  
Direttiva compatibilità elettromagnetica / *EMC Directive 2014/30/EU*  
Direttiva bassa tensione / *Low voltage Directive 2014/35/EU*  
Direttiva RoHS / *RoHS Directive 2011/65/EU*

Secondo quanto previsto dalle seguenti norme armonizzate:  
*In accordance with the following harmonized standards regulations:*

EN 55014-1:2006/A1:2009/A2:2011, EN 55014-2:2015  
EN 62233:2008  
EN 60950-1:2006 + A11:2009 + A1:2010 + A12:2011 + A2:2013  
EN 60335-1:2012/A13:2017, EN 60335-2-103:2015  
EN 61000-3-2:2014, EN 61000-3-3:2013  
EN 61000-6-2:2016, EN 61000-6-3:2007/A1:2011/AC:2012

Dichiara che la documentazione tecnica pertinente al prodotto è stata redatta conformemente a quanto previsto dalla direttiva 2006/42/CE Allegato VII parte B e verrà fornita a fronte di una richiesta adeguatamente motivata dalle autorità nazionali.  
*Declares that the technical documentation is compiled in accordance with the directive 2006/42/EC Annex VII part B and will be transmitted in response to a reasoned request by the national authorities.*

Dichiara altresì che non è consentita la messa in servizio del prodotto finché la macchina, in cui il prodotto è incorporato, non sia stata dichiarata conforme alla direttiva 2006/42/CE.  
*He also declares that is not allowed to use the above mentioned product until the machine, in which this product is incorporated, has been identified and declared in conformity with the regulation 2006/42/EC.*

San Donà di Piave (VE), 31/07/18

Amministratore Delegato  
*General Manager*  
Nicola Michelin

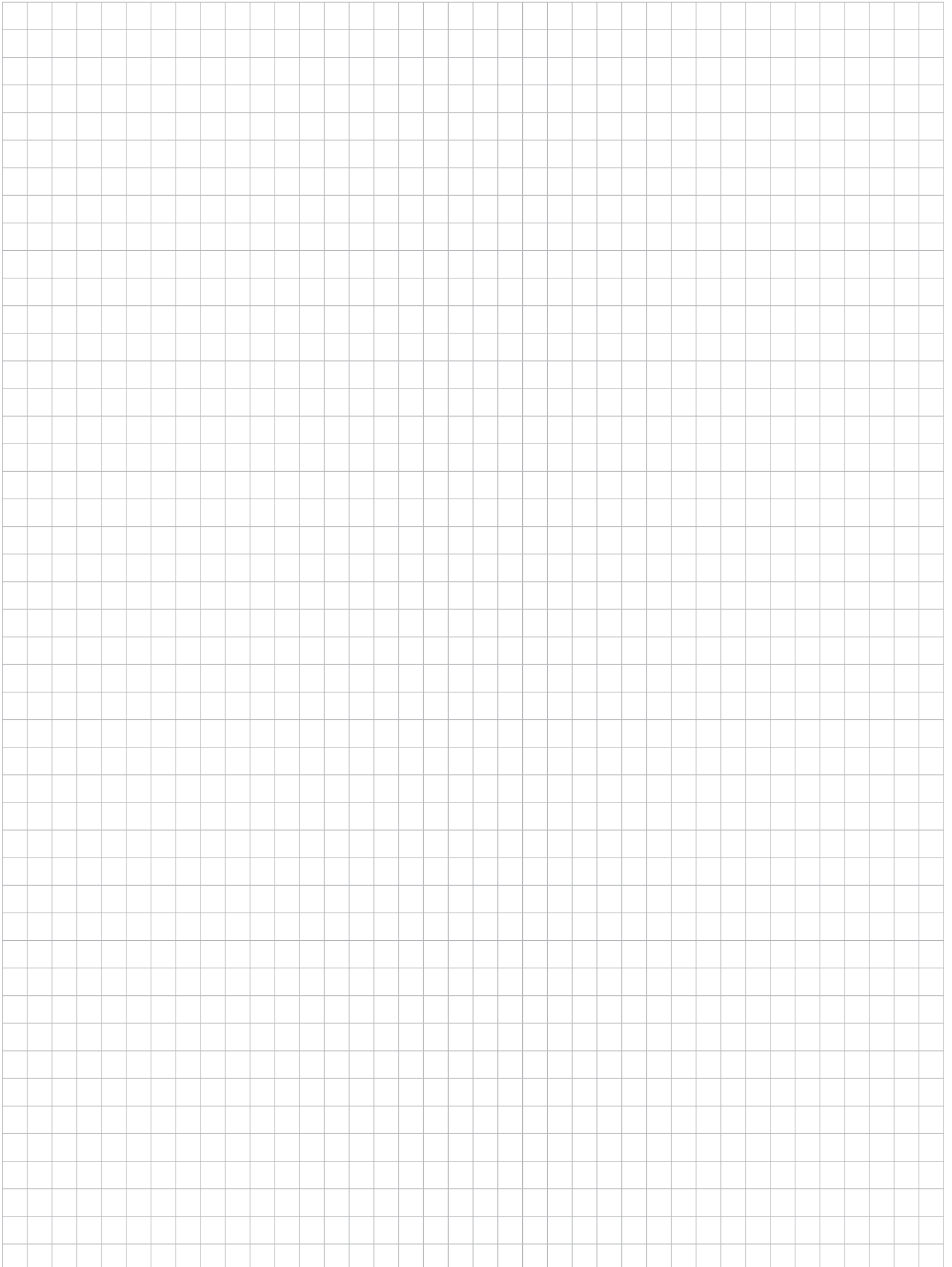


Key Automation S.r.l.  
Via Meucci 23  
30027 San Dona' di Piave (VE)  
P.IVA 03627650264 C.F. 03627650264  
[info@keyautomation.it](mailto:info@keyautomation.it)

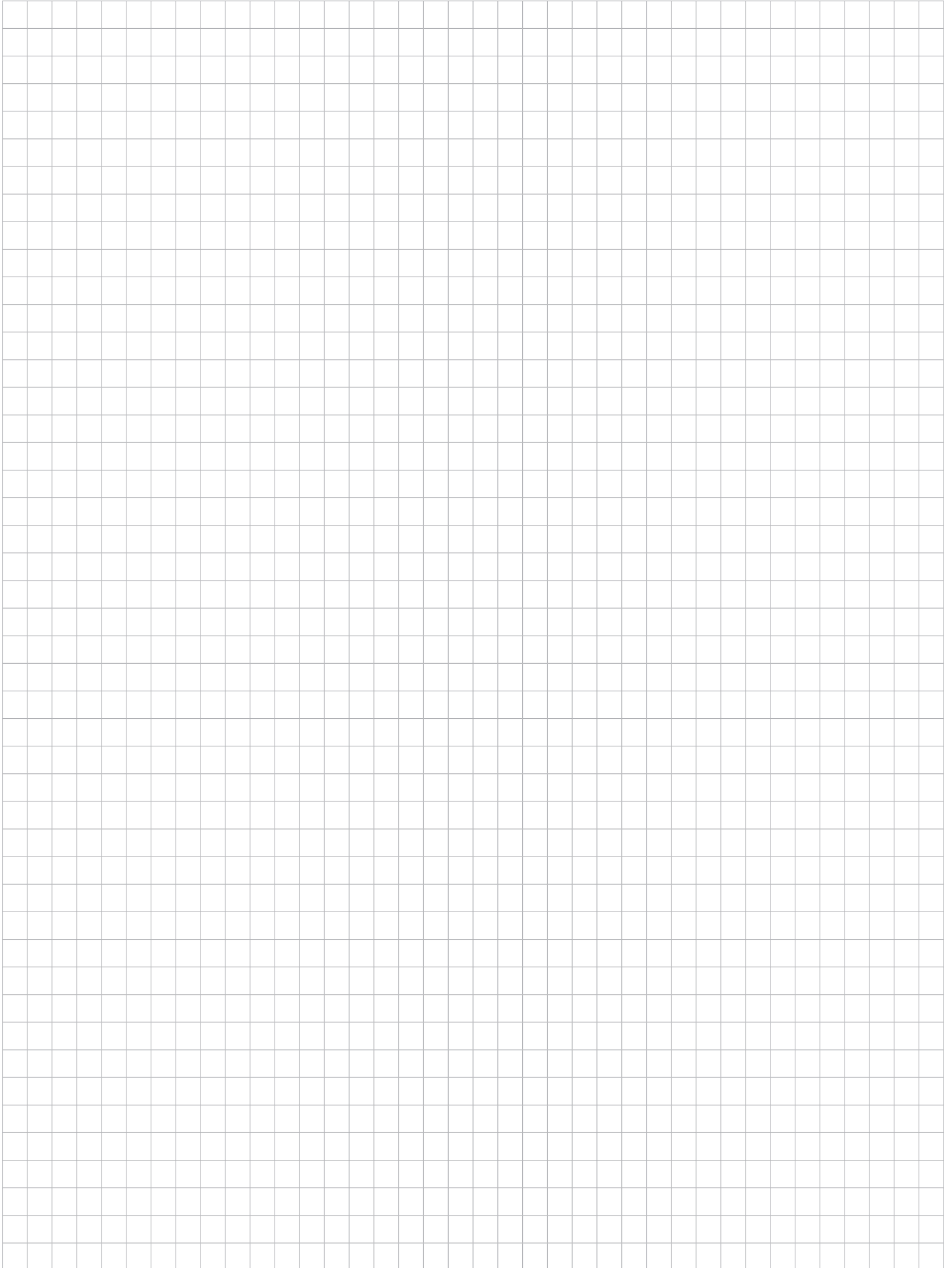
Capitale sociale 154.000,00 i.v.  
Reg. Imprese di Venezia 03627650264  
REA VE 326953  
[www.keyautomation.it](http://www.keyautomation.it)







# NOTE





**Key Automation**

Via Meucci 23 - 30027 San Donà di Piave (VE)

T. +39 0421.307.456 - F. +39 0421.656.98

info@keyautomation.it - www.keyautomation.it

Instruction version  
580ISSTAR200 REV.03